

REVISED

9:09 am, May 12, 2021

AP Dynamometer Specifications

DILLON

Pound Capacities

| | 5" (125 mm) Dial Size | | 10" (250 mm) Dial Size | | Ultimate Safety Factor | Pressure Bar Material** |
|------|-----------------------|---------------------|------------------------|---------------------|------------------------|-------------------------|
| | Part Number | Cap x Division Size | Part Number | Cap x Division Size | | |
| LOW | 30006-0019 | 500 x 5 | N/A | | 5:1 | A |
| | 30006-0027 | 1,000 x 10 | 30007-0026 | 1,000 x 5 | 5:1 | A |
| | 30006-0035 | 2,000 x 20 | 30007-0034 | 2,000 x 10 | 5:1 | A |
| | 30006-0043 | 4,000 x 25 | N/A | | 5:1 | S |
| | 30006-0050 | 5,000 x 50 | 30007-0059 | 5,000 x 20 | 5:1 | S |
| | 30006-0076 | 8,000 x 50 | N/A | | | S |
| | 30006-0084 | 10,000 x 100 | 30007-0083 | 10,000 x 50 | 5:1 | S |
| MED | 30006-0092 | 15,000 x 100 | N/A | | | S |
| | 30006-0100 | 20,000 x 200 | 30007-0109 | 20,000 x 100 | 5:1 | S |
| HIGH | N/A | | 30784-0017 | 30,000 x 200 | 5:1 | S |
| | N/A | | 30784-0033 | 50,000 x 200* | 3:1 | S |

*Not CE approved.

** A = Aluminum or S = Steel

ASME b30.26 compliant on 20,000 lb (10,000 kg) and below.

Kilogram Capacities

| | 5" (125 mm) Dial Size | | 10" (250 mm) Dial Size | | Ultimate Safety Factor | Pressure Bar Material** |
|------|-----------------------|---------------------|------------------------|---------------------|------------------------|-------------------------|
| | Part Number | Cap x Division Size | Part Number | Cap x Division Size | | |
| LOW | 30006-0134 | 500 x 5 | N/A | | | |
| | 30006-0159 | 1000 x 10 | 30007-0158 | 1000 x 5 | 5:1 | A |
| | 30006-0126 | 2000 x 20 | 30007-0125 | 2000 x 10 | 5:1 | A |
| | 30006-0167 | 4000 x 25 | N/A | | 5:1 | S |
| | N/A | | 30007-0174 | 5000 x 20 | 5:1 | S |
| MED | 30006-0118 | 10000 x 100 | 30007-0117 | 10000 x 50 | 5:1 | S |
| HIGH | N/A | | 30784-0058 | 20000 x 100 | 4:1 | S |

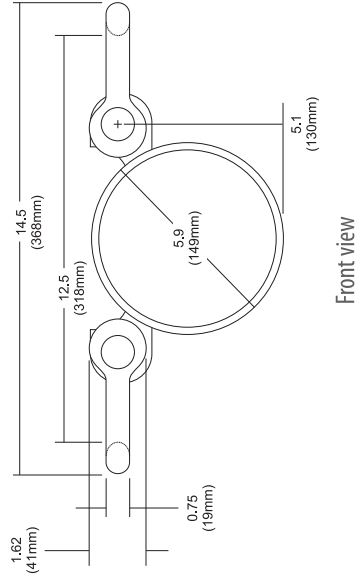
** A = Aluminum or S = Steel

Model AP Dynamometer Dimensions

Dimensions in inches (mm)
 Drawing scales differ between capacities
 Dimensions subject to manufacturer /supplier tolerances and
 are subject to change without notice.

Low & Medium Capacities 500-20,000 lb / 200-10,000 kg

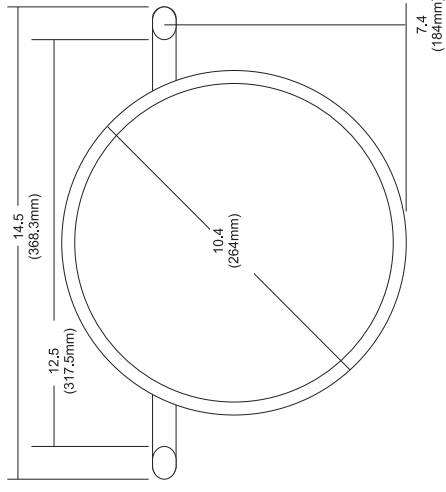
5" dial design



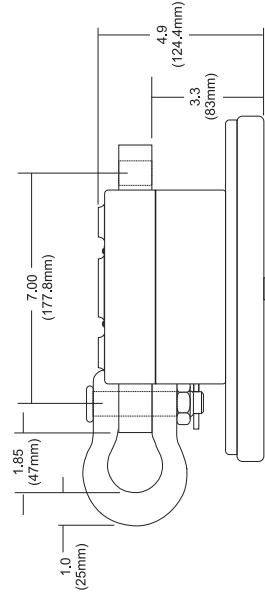
Front view

Side view

10" dial design

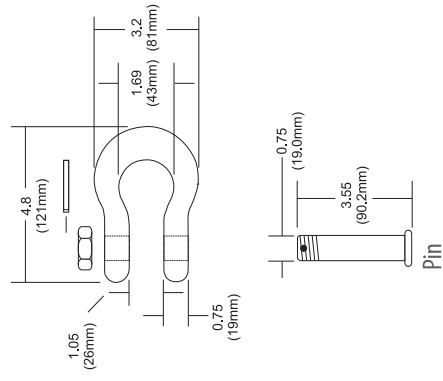


Front view

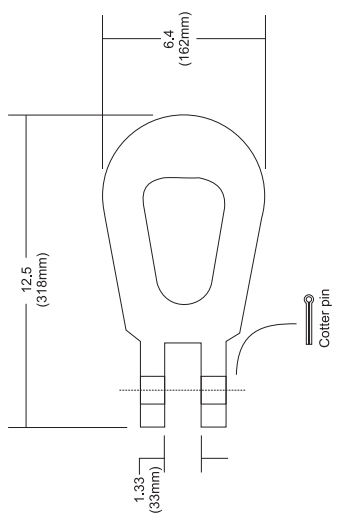
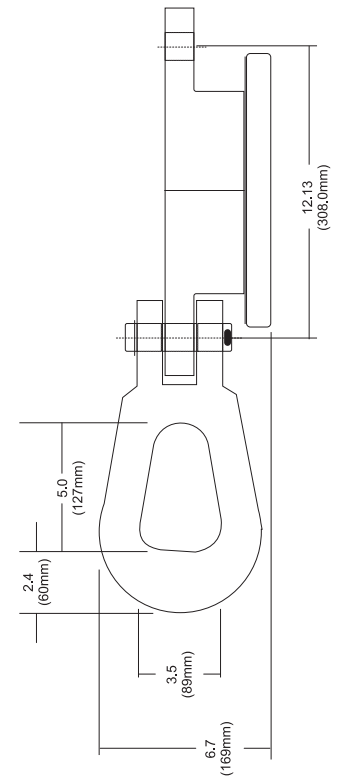
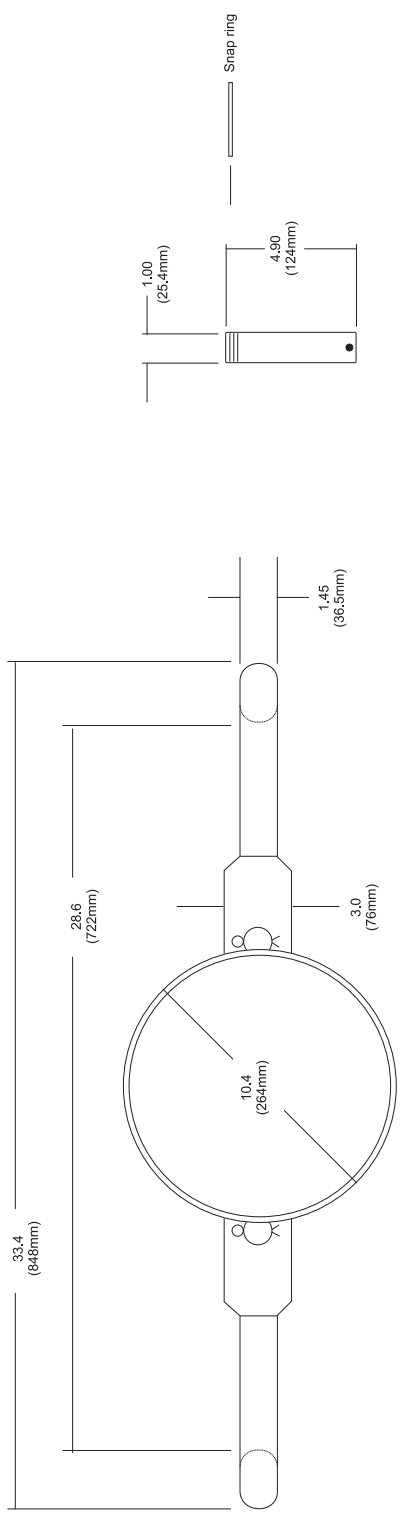


Side view

Standard Shackles



High Capacities 30,000-50,000 lb / 15,000-20,000 kg



Model AP Mechanical Dynamometer

Accuracy: $\pm 0.5\%$ of capacity

Temperature Range: -50° to 140° F (-45° to 60° C)

Ultimate Safety Factor:

See table on cover for minimum USF

Construction:

Pressure bar—

High-grade E4340 alloy steel or 7075-T651 aluminum

** See front page for material usage by capacity

Shackles –

A4140 forged steel (machined from E4340 steel)

Shackle pins –

Machined from E4340 steel or 300 m steel

Case Housing:

5" models are equipped with high strength composite plastic case.

10" models use cast aluminum enclosure.

Corrosion Protection: Pressure bar protected with durable powder coat paint. Shackles and pins are electroless nickel plated. All integral machining and fasteners are produced from noncorrosive materials or have suitable plating.

Zero Control: Zero up to 20% of capacity. Zeroed load must be considered as part of ultimate load.

Calibration: Traceable to NIST.

Documentation: Includes users guide and signed calibration certificate.

Carry Case/Crate:

Low/Med capacity 5" dial – includes plastic carry case

Low/Med capacity 10" dial – optional steel carry case

All high capacity – includes reinforced plywood crate

Periodic Proof Loads: Controlled 150% proof loads permitted annually.

Approval: CE on all capacities excluding 50,000 lb
ASME b30.26 compliant on 20,000 lb (10,000 kg) and below

Warranty: 2 years parts and labor

Shipping and packing (approximate weights):

5" Low and Med Capacities

| | |
|-----------------|----------------|
| Net weight | 9 lb |
| Shipping weight | 15 lb |
| Shipping box | 16" x 11" x 7" |

10" Low and Med Capacities

| | |
|--|----------------|
| Net weight | 10 lb |
| Shipping weight | 16 lb |
| Shipping weight (with optional steel case) | 26 lb |
| Shipping box | 14" x 14" x 7" |

30,000 – 50,000 lb (20,000 kg) High Capacity

| | |
|-----------------|---------------------|
| Net weight | 64 lb |
| Shipping weight | 98 lb |
| Shipping crate | 37.5" x 13" x 10.5" |



Dillon/Quality Plus, Inc.
Sales/Service/Calibration
Email: sales@dqplus.com
Web: www.dillondynamometers.com
214 E. Kansas Street Suite 101
Liberty, MO. 64068
Phone: 800-493-2263
FAX: 816-453-7677



Dillon is part of Avery Weigh-Tronix. Avery Weigh-Tronix is a trademark of the Illinois Tool Works group of companies whose ultimate parent company is Illinois Tool Works Inc. ("Illinois Tool Works"). Copyright © 2021 Illinois Tool Works. All rights reserved. This publication is issued to provide outline information only and may not be regarded as a representation relating to the products or services concerned. This publication was correct at the time of going to print, however Avery Weigh-Tronix reserves the right to alter without notice the specification, design, price or conditions of supply of any product or service at any time.

DILLON

Force Measurement Equipment