

Non-Contact High Voltage Detector **Model 275HVD**

Detector de Alta Tensión Sin Contacto **Modelo 275HVD**



**HIGH VOLTAGE DETECTOR
DETECTOR DE ALTA TENSIÓN**

Copyright© Chauvin Arnoux®, Inc. d.b.a. AEMC® Instruments. All rights reserved.

No part of this documentation may be reproduced in any form or by any means (including electronic storage and retrieval or translation into any other language) without prior agreement and written consent from Chauvin Arnoux®, Inc., as governed by United States and International copyright laws.

Chauvin Arnoux®, Inc. d.b.a. AEMC® Instruments
15 Faraday Drive • Dover, NH 03820 USA
Phone: (603) 749-6434 or (800) 343-1391 • Fax: (603) 742-2346

This documentation is provided **as is**, without warranty of any kind, express, implied, or otherwise. Chauvin Arnoux®, Inc. has made every reasonable effort to ensure that this documentation is accurate; but does not warrant the accuracy or completeness of the text, graphics, or other information contained in this documentation. Chauvin Arnoux®, Inc. shall not be liable for any damages, special, indirect, incidental, or inconsequential; including (but not limited to) physical, emotional or monetary damages due to lost revenues or lost profits that may result from the use of this documentation, whether or not the user of the documentation has been advised of the possibility of such damages.

Statement of Compliance

Chauvin Arnoux[®], Inc. d.b.a. AEMC[®] Instruments certifies that this instrument has been calibrated using standards and instruments traceable to international standards.

We guarantee that at the time of shipping your instrument has met the instrument's published specifications.

An NIST traceable certificate may be requested at the time of purchase, or obtained by returning the instrument to our repair and calibration facility, for a nominal charge.

The recommended calibration interval for this instrument is 12 months and begins on the date of receipt by the customer. For recalibration, please use our calibration services. Refer to our repair and calibration section at www.aemc.com/calibration.

Serial #: _____

Catalog #: 2131.12

Model #: 275HVD

Please fill in the appropriate date as indicated:




Date Received: _____

Date Calibration Due: _____



Chauvin Arnoux[®], Inc.
d.b.a AEMC[®] Instruments
www.aemc.com

TABLE OF CONTENTS

1. INTRODUCTION.....	5
1.1 TESTING THE 275HVD BEFORE OPERATING	5
1.2 PRECAUTIONS FOR USE 	6
1.3 INTERNATIONAL ELECTRICAL SYMBOLS.....	7
1.4 RECEIVING YOUR SHIPMENT.....	7
1.5 ORDERING INFORMATION	7
1.5.1 Accessories	7
2. PRODUCT FEATURES.....	8
2.1 DESCRIPTION	8
2.2 TYPICAL USES (ALWAYS USE A HOT STICK).....	8
2.3 275HVD FEATURES	9
3. SPECIFICATIONS	10
3.1 ELECTRICAL	10
3.2 MECHANICAL.....	10
3.3 ENVIRONMENTAL	10
3.4 DETECTION LEVELS.....	11
4. OPERATION	13
4.1 PREPARATION FOR USE.....	13
4.2 LIMITATIONS ON THE MODEL 275HVD 	13
4.3 TESTING THE 275HVD BEFORE OPERATING	13
4.4 HIGH VOLTAGE TESTING 	14
4.5 LOW VOLTAGE TESTING	15
4.6 FAULTS (OPEN) IN CABLES	15
4.7 CHANGING THE BATTERIES.....	15
5. MAINTENANCE	16
5.1 REPAIR AND CALIBRATION.....	16
5.2 TECHNICAL ASSISTANCE	16
5.3 LIMITED WARRANTY	17
5.3.1 Warranty Repairs.....	17

1. INTRODUCTION

Thank you for purchasing an AEMC® Instruments **Non-Contact High Voltage Detector Model 275HVD**.

For the best results from your instrument and for your safety, you must read the enclosed operating instructions carefully and comply with the precautions for use. Only qualified and trained operators should use this product.

 **WARNING! - READ BEFORE USE!** 

1.1 TESTING THE 275HVD BEFORE OPERATING

The 275HVD is a battery operated instrument. It must be carefully checked each time before use.

1. Test Before Use:

Switch the sensitivity to **TEST**. The warning buzzer should emit A continuous audible tone and the warning light LEDs should stay lit up with the 275HVD in all positions. This indicates that the sensor is operational and the battery functional.

If there is any intermittent buzzer and/or light, do not operate the 275HVD.

Further operation is not to take place until authorized and qualified personnel have reviewed the operation and cleared the instrument after proper Test and Functional tests.

2. Detection Test:

After a successful **Test (1)**, perform the following steps to ensure that the 275HVD detects voltage on a known live conductor.

- Select the 240 VAC range and place the sensing head near a known live (low voltage) conductor (if not available, rub the sensor with a cloth or against a clothing item to generate a DC static charge which will trigger the sensor circuit detection).
- The warning light and warning beeper should go ON as if a live conductor were being tested.



NOTE: Positioning the sensing dome near a computer screen or a TV screen (not liquid crystal display type) should also trigger the tester while on the 240 V selection.

3. Battery:

- If any malfunction or instability of the light and/or buzzer occurs, then the user should also check the battery compartment and/or batteries.
- When installing a new set of batteries or before use, tighten the battery compartment completely and properly (insure the O-ring is well seated), select the Test position and move the meter in different positions. **In the Test mode the light and buzzer should remain ON continuously and be steady at all times. Otherwise, do not use the instrument.**

- Failure to properly close the battery compartment and/or the use of weak batteries may result in intermittent operation. **Do not use the 275HVD if intermittent operation occurs (see Testing the 275HVD Before Operating § 1.1).**

1.2 PRECAUTIONS FOR USE

The Model 275HVD Non-Contact High Voltage Detector has been designed with safety in mind. However, no design can completely protect against incorrect use. The 275HVD should be used by trained and qualified personnel only. The 275HVD can only be used with an insulated rod or **Hot Stick** rated at the appropriate working voltage. The 275HVD Non-Contact High Voltage Detector is never to be put into direct contact with a live conductor.





If caution is not taken or safety practices are not adhered to, electrical circuits can be dangerous and lethal.

This instrument should only be used by authorized and properly trained personnel who fully understand the High Voltage testing procedures.

Personnel working with high voltages should be trained regularly.

- Read the user manual carefully and completely before using the tester. Fully understand the instructions before using this product.
- Follow the instructions for every test.
- Take all the necessary safety precautions. Do not exceed the limits of this instrument.
- The 275HVD Non-Contact High Voltage Detector must never be in physical contact with any conductor. This is a proximity detector, not a detector which works by contact.
- Tests must only be carried out with the 275HVD attached to an approved insulated fiberglass rod or Hot Stick.
- Always use an authorized fiberglass (or equivalent) rod or Hot Stick appropriately rated for the voltage with which you are working.
- Always check that the 275HVD Non-Contact High Voltage Detector is working before and after the test.
- Verify the Range Switch setting before measuring. Make sure it is on the correct setting for your application.
- Do not touch any exposed wiring, connections, or other **live** parts of an electrical circuit.

1.3 INTERNATIONAL ELECTRICAL SYMBOLS

	CAUTION - Risk of Danger! Indicates a WARNING . Whenever this symbol is present, the operator must refer to the user manual before operation.
	Indicates a risk of electric shock. The voltage at the parts marked with this symbol may be dangerous.
	Indicates Important information to acknowledge
	This product complies with the Low Voltage & Electromagnetic Compatibility European directives.

1.4 RECEIVING YOUR SHIPMENT

Upon receiving your shipment, make sure that the contents are consistent with the packing list. Notify your distributor of any missing items. If the equipment appears to be damaged, file a claim immediately with the carrier and notify your distributor at once, giving a detailed description of any damage. Save the damaged packing container to substantiate your claim. Do not use an instrument that appears to be damaged.

1.5 ORDERING INFORMATION

Non-Contact High Voltage Detector Model 275HVD..... Cat. #2131.12

Includes three 1.5 V C-cell batteries, shotgun adapter, carrying case, and user manual.

1.5.1 Accessories

Replacement - Battery housing with o-ring and spring for Model 275HVD..... **Cat. #5100.03**

Replacement - Metal Universal Spline Adapter for Model 275HVD..... **Cat. #5100.08**

2. PRODUCT FEATURES



WARNING: Never assume conductors have been tested, as de-energized will stay de-energized.

Always install proper grounding devices before working. Failure to do so may result in serious injury or death.

2.1 DESCRIPTION

The Non-Contact High Voltage Detector Model 275HVD is a high voltage detector by proximity. It is not designed to enter into contact with conductors.



WARNING: The 275HVD should never touch conductors and must be used with an insulated fiberglass rod or Hot Stick appropriately rated for the voltage being tested.

The Non-Contact High Voltage Detector Model 275HVD is not a **measuring instrument** per say, rather it is a product designed to warn the user of the presence of voltage in a particular work site.

The 275HVD uses an internal sensor designed to detect the radiated electrical field (V/m) present in energized conductors. The radiated electrical field increases with the line voltage but decreases with distance and/or shielding.

The 275HVD has eight voltage range settings. These correspond to internal field sensitivity settings: the lower the voltage setting; the higher the sensitivity to detect the electrical field; and, the greater the detection distance. It also has an **auto-test** setting to check functionality (see § 4.3).

The 275HVD is battery powered and contains three standard 1.5 V **C** cells in the shaft below the sensing head.

When an electrical field is detected, a sound annunciator (high-pitch, high-powered buzzer) and visual indicators (bright LEDs) are triggered **ON**, warning the user.

The body is made out of industrial grade UL rated polyamide (Type 66 Nylon). The shotgun adapter at the shaft end is designed to fit into most Hot Stick adapters.

2.2 TYPICAL USES (ALWAYS USE A HOT STICK)

- Identify and check live cables
- Check and detect live high voltage cables
- Find fault in flexible cables
- Check grounding equipment
- Service neon lighting
- Trace live wires
- Check high frequency radiation
- Detect residual or induced voltages

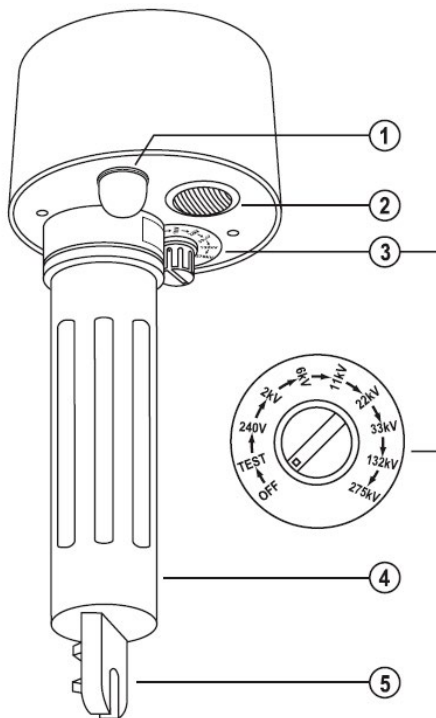
WARNING: The 275HVD detects radiated electrical fields. To accomplish this, an energized cable or sample must radiate an electrical field. Shielded cables or shielded samples do not radiate, or radiate very small electrical fields. Also, cables with concentric neutrals will have a smaller/lower radiated field than plain insulated cables.



The 275HVD may not detect, as expected, an electrical field on shielded cables (buried cables are often shielded) or shielded samples and the 275HVD has lower sensitivity on cables with concentric neutrals.

It is not recommended to use the 275HVD on shielded cables or shielded samples. Use extreme care on cables with concentric neutrals (use a low setting).

2.3 275HVD FEATURES



1. Warning Light - Bright, low current Red LEDs triggered on voltage detection
2. Warning Buzzer - High noise level buzzer triggered on voltage detection
3. Rotary Selector with the following settings:
 - OFF - Turn the pick-up sensor off
 - TEST - Verifies that the circuitry is working
 - 240 V - 2 kV - 6 kV - 11 kV - 22 kV - 33 kV - 132 kV - 275 kV
4. Battery Holder
5. Shotgun adapter end fitting for Hot Stick connection

3. SPECIFICATIONS

3.1 ELECTRICAL

Ranges: 240 V, 2 kV, 6 kV, 11 kV, 22 kV, 33 kV, 132 kV, 275 kV

Detection Frequency: (40 to 70) Hz

Power Supply: (3) 1.5 V C cell batteries

Power Consumption: 40 mA

Signal Lamp: 47 lux @ 20 cm

Sound Volume: 75 db @ 1 m from detector

Electrical Safety: Compliant with EN 61326-1, EN 61000-4-2, EN 61000-4-3, EN 55011

3.2 MECHANICAL

Case Height: 9 in (229 mm)

Case Width: 3.78 in (96 mm)

Case Protection: IP65 per IEC 526

Weight: 1.30 lbs (0.59 kg) batteries included

Shock Test: IEC 68-2-29

Vibration Test: EN 61010, clause 8.3

Drop Test: EN 61010, clause 8.4

Impact Test: EN 61010, clause 8.2

3.3 ENVIRONMENTAL

Operating Temperature: (5 to 130) °F (-15 to 55) °C

Storage Temperature: (-4 to 150) °F (-20 to 65) °C

Humidity: (0 to 93) % RH @ 104 °F (40 °C)

Cold Temperature: IEC 68-2-1

Dry Heat: IEC 68-2-2

Damp Heat: IEC 68-2-3



3.4 DETECTION LEVELS

The 275HVD is used by moving it closer to the live conductor until the buzzer and light warnings are triggered. It is designed to detect at a lower voltage than the range setting.

The following data is considered as typical response for the 275HVD. Variations may occur from unit to unit. As a general rule, in a **clean** environment, the 275HVD will trigger @ (45 to 65) % of the voltage range at 4 in/10 cm, and detected the selected voltage setting at (8 to 12) in (20 to 30) cm.

The following data provides indicative distances at which the 275HVD will detect a given voltage.



NOTE: These tests were conducted in ideal test conditions (unshielded single conductor, lab environment, sensor head perpendicular to conductor) and are not fully representative of the work site, which may have other voltages present (and which may influence the overall results).

The distances should only be taken as indicative and not as electrical specifications. Care should be taken when in presence of other conductors which may also be detected by the 275HVD (see § 4.2). *Measurements are based upon a 90 ° angle (sensor head perpendicular to conductor).*

Range Setting	Distance	Voltage Detection
240 V	4 in – 10 cm	75 V – 90 V
2 kV	4 in – 10 cm	1.3 kV
6 kV	4 in – 10 cm	3.6 kV
11 kV	4 in – 10 cm	7.5 kV
22 kV	4 in – 10 cm	11 kV
33 kV	4 in – 10 cm	19.5 kV
132 kV	4 in – 10 cm	Not Rated
275 kV	4 in – 10 cm	Not Rated

Range Setting	Voltage	Distance
240 V	240 V	10.5 in - 27 cm
2 kV	2 kV	10.5 in - 27 cm
6 kV	6 kV	11.5 in - 29 cm
11 kV	11 kV	10.5 in - 27 cm
22 kV	22 kV	12.2 in - 31 cm
33 kV	33 kV	11.0 in - 28 cm
132 kV	132 kV	10.0 in - 25 cm
275 kV	275 kV	10.0 in - 25 cm

The following information provides typical detection distances when using a lower setting than the line voltage.



NOTE: The distances may vary with each unit and will be affected based on the actual environment. The values displayed were conducted in an ideal lab environment and cannot represent each field environment.

SETTING	VOLTAGE	DISTANCE
240 VAC	500 VAC	12 in - 32 cm
240 VAC	1 kVAC	18 in - 48 cm
240 VAC	2 kVAC	29 in - 75 cm
240 VAC	6 kVAC	48 in - 124 cm
240 VAC	11 kVAC	57 in - 146 cm
240 VAC	22 kVAC	89 in - 226 cm

SETTING	VOLTAGE	DISTANCE
2 kVAC	6 kVAC	16 in - 40 cm
2 kVAC	11 kVAC	20 in - 52 cm
2 kVAC	22 kVAC	24 in - 60 cm
2 kVAC	33 kVAC	36 in - 92 cm

SETTING	VOLTAGE	DISTANCE
6 kVAC	11 kVAC	24 in - 61 cm
6 kVAC	22 kVAC	29 in - 75 cm
6 kVAC	33 kVAC	41 in - 105 cm

SETTING	VOLTAGE	DISTANCE
11 kVAC	22 kVAC	13 in - 35 cm
11 kVAC	33 kVAC	16 in - 42 cm

SETTING	VOLTAGE	DISTANCE
22 kVAC	33 kVAC	14 in - 36 cm

4. OPERATION

4.1 PREPARATION FOR USE

The Non-Contact High Voltage Detector should be inspected for any visible signs of damage before using, battery condition and the checks described below should be performed to ensure that it is operating correctly.

When you first receive it, if there is any sign of damage or if the instrument does not operate correctly, return it to the distributor from which it was purchased.

4.2 LIMITATIONS ON THE MODEL 275HVD



See Warnings on pages 8 and 9

- Testing voltages on cable composed of multiple phases may be a problem. In particular, multiple phase cables twisted together may have their electrical fields canceling each other out (vector sum), and a much lower detectable field signal may result. This may lead to non-detection if the range setting is too high. Try a lower range setting if this situation occurs. Keep in mind that the actual line voltage may be much higher!
- Problems can arise when the 3-phase circuit of 275 kV/133 kV/11 kV transformers are tested. The electric field of the HV and MV bus bars can trigger the detector when it is about one meter (approx 3 ft) above the ground. Users must be aware that this is common with most of the electric field voltage detectors. The 275HVD can pick up adjacent circuit electrical fields to the one being tested and may indicate the wrong information to the user.
- Electrical Field sensitivity is reduced when the 275HVD is used close to grounding points.
- The Model 275HVD will work on cables with a concentric neutral.
- The Model 275HVD will not work on shielded cables.

4.3 TESTING THE 275HVD BEFORE OPERATING



Also read: WARNING! - READ BEFORE USE! on page 5

Switch the sensitivity to **TEST**. The warning buzzer should emit a continuous audible tone and the warning light LEDs should light up. This indicates that the sensor is operational and the battery functional.

Perform the following steps to ensure that the 275HVD detects voltage on a known live conductor.

- Select the 240 VAC range and place the sensing head near a known live (low voltage) conductor (if not available, rub the sensor with a cloth or against a clothing item to generate a DC static charge which will trigger the sensor circuit detection).
- The warning light and warning beeper should go **ON** as if a live conductor was being tested.



NOTE: Positioning the sensing dome near a computer screen or a TV screen (not liquid crystal display type) should also trigger the tester while on the 240 V selection

4.4 HIGH VOLTAGE TESTING



See Warnings on pages 8 and 9

The 275HVD Non-Contact High Voltage Detector works by proximity. It is not designed to be in physical contact with live conductors. Its sensor detects the radiated field which surrounds live conductors.



WARNING: Do not touch live conductors with the 275HVD Non-Contact High Voltage Detector.

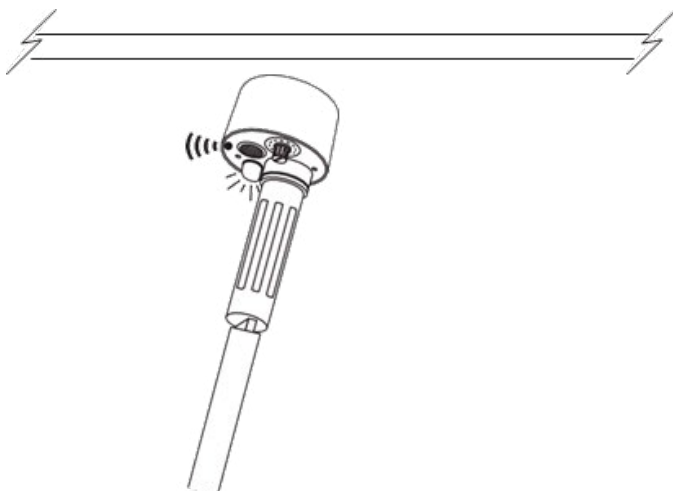
Radiated field strength increases with voltage and decreases quickly with distance and/or ground shielding. The radiated field from a cable where conductors supplying three-phase power are close together, tends to cancel out (See § 4.2). The rotary switch (attenuator) is used to identify and differentiate various HV live cables.



WARNING: The tester must only be used with an appropriate insulated rod or Hot Stick when measuring High Voltage.

After checking the 275HVD and ensuring its good operation, select the test range. It is recommended to start with a lower setting than the actual working voltage, and then to try again with higher settings. The user may also consider using lower settings to check for lower voltages on a conductor.

With the 275HVD at the end of a hot stick, move towards the live conductor until its warnings are triggered.



4.5 LOW VOLTAGE TESTING



See Warnings on pages 8 and 9

The 275HVD Non-Contact High Voltage Detector works by proximity. The 275HVD is not designed to be in physical contact with live conductors. Its sensor detects the radiated field that surrounds live conductors.



WARNING: Do not touch live conductors with the 275HVD Non-Contact High Voltage Detector.

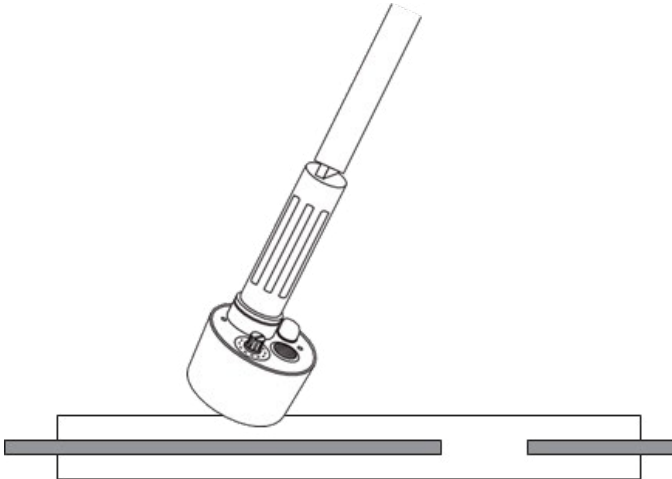
Radiated field strength increases with voltage and decreases quickly with distance and/or ground shielding. The radiated field from a cable where conductors supplying three-phase power are close together, tends to cancel out (See § 4.2). Detecting distance of a 250 VAC single live wire is about 4 in (10 cm). When grouped with neutral and ground wires, as in a flexible cable, the distance is reduced to 2 in (5 cm) or less.

4.6 FAULTS (OPEN) IN CABLES



See Warnings on pages 8 and 9

Faults in certain flexible cables can be detected with the 275HVD. If the cable is still energized, set the 275HVD sensitivity so that it triggers, then move the 275HVD along the cable until a change in condition is obtained. An audible tone and LED should be ON when the sensor is on the supply side of the open and will turn OFF when on the other side.



4.7 CHANGING THE BATTERIES

Batteries should be checked with a multimeter and replaced periodically. The 275HVD Non-Contact High Voltage Detector uses (3) 1.5 V **C** cell batteries.

Open the battery compartment (turn the shaft counter-clockwise) to remove the batteries. Ensure that polarity is respected when installing new batteries.

5. MAINTENANCE

5.1 REPAIR AND CALIBRATION

To ensure that your instrument meets factory specifications, we recommend that the instrument be sent back to our factory Service Center at one-year intervals for recalibration or as required by other standards or internal procedures.

For instrument repair and calibration:

You must contact our Service Center for a Customer Service Authorization Number (CSA#). Send an email to repair@aemc.com requesting a CSA#, you will be provided a CSA Form and other required paperwork along with the next steps to complete the request. Then return the instrument along with the signed CSA Form. This will ensure that when your instrument arrives, it will be tracked and processed promptly. Please write the CSA# on the outside of the shipping container. If the instrument is returned for calibration, we need to know if you want a standard calibration or a calibration traceable to N.I.S.T. (includes calibration certificate plus recorded calibration data).

Ship To: Chauvin Arnoux®, Inc. d.b.a. AEMC® Instruments
15 Faraday Drive • Dover, NH 03820 USA
Phone: (800) 945-2362 (Ext. 360) / (603) 749-6434 (Ext. 360)
Fax: (603) 742-2346
E-mail: repair@aemc.com

(Or contact your authorized distributor.)

Contact us for the costs for repair, standard calibration, and calibration traceable to N.I.S.T.



NOTE: You must obtain a CSA# before returning any instrument.

5.2 TECHNICAL ASSISTANCE

If you are experiencing any technical problems or require any assistance with the proper operation or application of your instrument, please call, e-mail or fax our technical support team:

Chauvin Arnoux®, Inc. d.b.a. AEMC® Instruments
Phone: (800) 343-1391 (Ext. 351)
Fax: (603) 742-2346
E-mail: techsupport@aemc.com
www.aemc.com

5.3 LIMITED WARRANTY

The instrument is warranted to the owner for a period of three years from the date of original purchase against defects in manufacture. This limited warranty is given by AEMC® Instruments, not by the distributor from whom it was purchased. This warranty is void if the unit has been tampered with, abused, or if the defect is related to service not performed by AEMC® Instruments.

Full warranty coverage and product registration is available on our website at www.aemc.com/warranty.html.

Please print the online Warranty Coverage Information for your records.

What AEMC® Instruments will do:

If a malfunction occurs within the warranty period, you may return the instrument to us for repair, provided we have your warranty registration information on file or a proof of purchase. AEMC® Instruments will repair or replace the faulty material at our discretion.

REGISTER ONLINE AT: www.aemc.com/warranty.html

5.3.1 Warranty Repairs

What you must do to return an Instrument for Warranty Repair:

First, send an email to repair@aemc.com requesting a Customer Service Authorization Number (CSA#) from our Service Department. You will be provided a CSA Form and other required paperwork along with the next steps to complete the request. Then return the instrument along with the signed CSA Form. Please write the CSA# on the outside of the shipping container. Return the instrument, postage or shipment prepaid to:

Chauvin Arnoux®, Inc. d.b.a. AEMC® Instruments
15 Faraday Drive, Dover, NH 03820 USA
Phone: (800) 945-2362 (Ext. 360)
(603) 749-6434 (Ext. 360)
Fax: (603) 742-2346
E-mail: repair@aemc.com

Caution: To protect yourself against in-transit loss, we recommend that you insure your returned material.



NOTE: You must obtain a CSA# before returning any instrument.

Copyright© Chauvin Arnoux®, Inc. d.b.a. AEMC® Instruments. Todos los derechos reservados.

Prohibida la reproducción total o parcial de este documento de cualquier forma o medio (incluyendo almacenamiento y recuperación digitales y traducción a otro idioma) sin acuerdo y consentimiento escrito de Chauvin Arnoux®, Inc., según las leyes de derechos de autor de Estados Unidos e internacionales.

Chauvin Arnoux®, Inc. d.b.a. AEMC® Instruments

15 Faraday Drive • Dover, NH 03820 USA

Teléfono: +1 (603) 749-6434 o +1 (800) 343-1391 • Fax: +1 (603) 742-2346

Este documento se proporciona en su **condición actual**, sin garantía expresa, implícita o de ningún otro tipo. Chauvin Arnoux®, Inc. ha hecho todos los esfuerzos razonables para establecer la precisión de este documento, pero no garantiza la precisión ni la totalidad de la información, texto, gráficos u otra información incluida. Chauvin Arnoux®, Inc. no se hace responsable de daños especiales, indirectos, incidentales o inconsecuentes; incluyendo (pero no limitado a) daños físicos, emocionales o monetarios causados por pérdidas de ingresos o ganancias que pudieran resultar del uso de este documento, independientemente si el usuario del documento fue advertido de la posibilidad de tales daños.

Certificado de Conformidad

Chauvin Arnoux®, Inc. d.b.a. AEMC® Instruments certifica que este instrumento ha sido calibrado utilizando estándares e instrumentos trazables de acuerdo con estándares internacionales.

AEMC® Instruments garantiza el cumplimiento de las especificaciones publicadas al momento del envío del instrumento.

Para certificados de calibración con data trazable al N.I.S.T. (Instituto Nacional de Normas y Tecnología) contacte a fábrica solicitando una cotización.

AEMC® Instruments recomienda actualizar las calibraciones cada 12 meses. Contacte a nuestro departamento de Reparaciones para obtener información e instrucciones de cómo proceder para actualizar la calibración del instrumento.

Para completar y guardar en archivo:

N° de serie: _____

N° de catálogo: **2131.12**

Modelo: **275HVD**

Por favor complete la fecha apropiada como se indica:




Fecha de recepción: _____

Fecha de vencimiento de calibración: _____



Chauvin Arnoux®, Inc.
d.b.a AEMC® Instruments
www.aemc.com

TABLA DE CONTENIDOS

1. INTRODUCCIÓN	21
1.1 CÓMO VERIFICAR EL DETECTOR DE ALTA TENSIÓN MODELO 275HVD ANTES DE SU USO	21
1.2 PRECAUCIONES DE USO 	22
1.3 SÍMBOLOS ELÉCTRICOS INTERNACIONALES	23
1.4 RECEPCIÓN DE SU EMBARQUE	23
1.5 INFORMACIÓN PARA PONER UNA ORDEN	23
1.5.1 Accesorios y Piezas de Repuesto	23
2. CARACTERÍSTICAS DEL PRODUCTO	24
2.1 DESCRIPCIÓN	24
2.2 USOS TÍPICOS (UTILICE SIEMPRE UNA PÉRTIGA)	25
2.3 CARACTERÍSTICAS	26
3. ESPECIFICACIONES	27
3.1 ELÉCTRICAS	27
3.2 MECÁNICAS	27
3.3 AMBIENTALES	27
3.4 NIVELES DE DETECCIÓN	28
4. OPERACIÓN	30
4.1 PRECAUCIONES PREVIAS AL USO	30
4.2 LIMITACIONES DEL MODELO 275HVD 	30
4.3 REVISIÓN DEL 275HVD	31
4.4 PRUEBA DE ALTA TENSIÓN 	31
4.5 PRUEBA DE BAJA TENSIÓN	32
4.6 FALLAS (APERTURAS) EN CABLES	33
4.7 REEMPLAZO DE LAS BATERÍAS	33
5. MANTENIMIENTO	34
5.1 REPARACIÓN Y CALIBRACIÓN	34
5.2 ASISTENCIA TÉCNICA	34
5.3 GARANTÍA LIMITADA	35
5.3.1 Reparaciones de Garantía	35

1. INTRODUCCIÓN

Gracias por adquirir un **Detector de Alta Tensión Sin Contacto Modelo 275HVD** de AEMC® Instruments.

Para obtener los mejores resultados de su instrumento y para su seguridad, debe leer atentamente las instrucciones de funcionamiento adjuntas y cumplir con las precauciones de uso. Estos productos deben ser utilizados únicamente por usuarios capacitados y calificados.



ATENCIÓN: LEA ESTAS INSTRUCCIONES ANTES DE USAR EL INSTRUMENTO 

1.1 CÓMO VERIFICAR EL DETECTOR DE ALTA TENSIÓN MODELO 275HVD ANTES DE SU USO

El modelo 275HVD es un instrumento que utiliza baterías para su funcionamiento. Por favor siga los siguientes pasos antes de usar este instrumento.

1. Prueba antes del uso:

Seleccione **TEST**. La señal acústica de precaución emitirá un sonido continuo y audible y la luz de advertencia de la pantalla LED permanecerá encendida en todas las selecciones del modelo 275HVD. Esto indica que tanto el sensor como la batería se encuentran en perfecto estado de operabilidad.

No utilice el modelo 275HVD en caso de escucharse la señal acústica y/o ver una luz intermitente.

No utilice el instrumento hasta que personal autorizado y calificado lo haya evaluado y haya autorizado su uso después de efectuar los chequeos de correcto funcionamiento.

2. Prueba de detección:

Una vez completada satisfactoriamente la **Prueba (1)**, siga los siguientes pasos para asegurar que el modelo 275HVD detecta tensión en un conductor que se sabe que tiene tensión.

- Seleccione el rango de 240 VCA y coloque el terminal de medición cerca de un conductor que se sabe que tiene tensión (si no hubiese uno disponible, frote el sensor con un paño o en contra de prendas de vestir para generar una carga estática de CC que disparará la detección del circuito del sensor).
- La luz y la señal acústica de advertencia deben continuar ON como si se estuviese probando un conductor con tensión.



NOTA: Al seleccionar 240 V, el instrumento se debería activar al colocar el terminal del sensor cerca de una pantalla de computadora o una pantalla de TV (no el tipo de pantalla de cristal líquido).

3. Batería:

- En caso de presentarse mal funcionamiento o inestabilidad de la luz de advertencia y/o la señal acústica comenzase a sonar, el usuario deberá inspeccionar el compartimento de la batería y/o baterías.
- Al instalar baterías nuevas o antes de utilizar el instrumento, apriete fuertemente el compartimento de las baterías y asegúrese que el mismo esté completamente cerrado (asegúrese que la junta esté correctamente posicionada), seleccione la posición de prueba y mueva el medidor entre las diferentes posiciones disponibles. La luz y la señal acústica deben permanecer en forma continua y ser constantes en todo momento en el modo de prueba. **De lo contrario, no use el instrumento.**
- El instrumento no funcionará bien si las baterías tienen poca carga o si la tapa del compartimento de baterías no está bien cerrada. **No utilice el Detector de Alta Tensión Modelo 275HVD en caso de obtener una operación intermitente (ver Prueba antes del uso).**

1.2 PRECAUCIONES DE USO

El Detector de Alta Tensión Sin Contacto Modelo 275HVD ha sido diseñado teniendo en mente la seguridad. Sin embargo, ningún diseño puede dar protección total frente a un mal uso. El 275HVD debe ser usado solamente por personal entrenado y calificado. El 275HVD puede ser usado solamente con una pértiga aislada adecuada a la tensión de trabajo. El Detector de Alta Tensión Sin Contacto Modelo 275HVD nunca debe ponerse en contacto directo con un conductor energizado.

Si no se tiene cuidado o no se siguen las normas de seguridad, los circuitos eléctricos pueden ser peligrosos y letales.





Este instrumento sólo debe ser usado por personal autorizado y debidamente entrenado que entiende bien los procedimientos de prueba de altas tensiones.

El personal que trabaja con altas tensiones debe ser entrenado regularmente.

- Lea cuidadosa y completamente el manual de usuario antes de usar el probador. Debe comprender totalmente las instrucciones antes de usar este producto.
- Siga las instrucciones para cada prueba.
- Tome todas las medidas de seguridad. No exceda los límites de este instrumento.
- El Detector de Alta Tensión Sin Contacto 275HVD nunca debe entrar en contacto físico con ningún conductor. Este es un detector de proximidad, no un detector que opera por contacto.
- Las pruebas sólo deben realizarse conectado el 275HVD a una pértiga aislada de fibra de vidrio aprobada.
- Siempre utilice una pértiga de fibra de vidrio (o equivalente) aprobada, adecuada al valor de tensión con que se trabaja.

- Siempre revise que el Detector de Alta Tensión Sin Contacto 275HVD funcione bien antes y después de la prueba.
- Verifique la posición del selector de rango antes de medir. Asegúrese de que está en la posición correcta para su medición.
- No toque ningún alambre, conexión descubierta ni otras partes **energizada** del circuito eléctrico.

1.3 SÍMBOLOS ELÉCTRICOS INTERNACIONALES

	ADVERTENCIA IMPORTANTE. ¡Riesgo de PELIGRO! El operador debe consultar estas instrucciones siempre que aparezca este símbolo de peligro.
	Riesgo de descarga eléctrica. La tensión en las partes marcadas con este símbolo puede ser peligrosa.
	Información o consejo útil
	Indica conformidad con las directivas europeas y con las regulaciones aplicables a EMC.

1.4 RECEPCIÓN DE SU EMBARQUE

Al recibir su instrumento, asegúrese de que el contenido cumpla con la lista de embalaje. Notifique a su distribuidor ante cualquier faltante. Si el equipo parece estar dañado, presente una reclamación de inmediato con la compañía transportista, y notifique a su distribuidor en ese momento, dando una descripción detallada de cualquier daño. Guarde el embalaje dañado a los efectos de realizar una reclamación.

1.5 INFORMACIÓN PARA PONER UNA ORDEN

Detector de Alta Tensión Sin Contacto Modelo 275HVD Cat. #2131.12
Incluye tres baterías tipo C de 1,5 V, maletín y manual de usuario.

1.5.1 Accesorios y Piezas de Repuesto

Reemplazo - Compartimento de baterías con junta tórica y resorte para el modelo 275HVD..... **Cat. #5100.03**

Reemplazo - Adaptador de metal universal para pértiga para el modelo 275HVD..... **Cat. #5100.08**

2. CARACTERÍSTICAS DEL PRODUCTO

ADVERTENCIA IMPORTANTE: Nunca asuma que los conductores que han sido probados como desactivados permanecerán desactivados.



Instale siempre los dispositivos de puesta a tierra adecuados antes de trabajar. El no hacerlo puede resultar en lesiones graves o incluso la muerte.

2.1 DESCRIPCIÓN

El Detector de Alta Tensión Sin Contacto Modelo 275HVD es un detector de alta tensión por proximidad. No está diseñado para entrar en contacto con conductores. El 275HVD nunca debe tocar los conductores y debe ser usado junto con una pértiga de fibra de vidrio aislada apropiada para la tensión que se prueba.

El Detector de Alta Tensión Sin Contacto Modelo 275HVD no es un **instrumento de medición**, sino más bien es un producto diseñado para advertir al usuario sobre la presencia de tensión en el lugar de trabajo.

El 275HVD utiliza un sensor interno diseñado para detectar el campo eléctrico irradiado (V/m) por un conductor energizado. El campo eléctrico irradiado aumenta con la tensión de línea pero disminuye con la distancia y/o aislamiento.

El 275HVD tiene ocho rangos de tensión. Estos corresponden a ajustes internos de la sensibilidad al campo: a menor rango de tensión, mayor sensibilidad y mayor el alcance para detectar el campo eléctrico. También tiene una posición de **auto prueba** para comprobar su funcionamiento (ver § 4.2).

El 275HVD es operado por baterías y contiene tres baterías tipo **C** de 1,5 V en el mango bajo la cabeza sensora.

Cuando se detecta un campo eléctrico se dispara una señal acústica (potente y aguda) y un indicador visual (LEDs brillantes) que advierten al usuario.

El cuerpo del 275HVD está hecho de poliamida de grado industrial clasificación UL (Nylon Tipo 66). La ranura universal al extremo del mango está diseñada para ajustarse a la mayoría de los adaptadores para pértigas.

2.2 USOS TÍPICOS (UTILICE SIEMPRE UNA PÉRTIGA)

- Identificar y comprobar cables energizados
- Comprobar y detectar cables energizados con alta tensión
- Detectar fallas en cables flexibles
- Comprobar conexiones a tierra
- Dar servicio a iluminación de neón
- Rastrear cables energizados
- Comprobar la presencia de radiación de alta frecuencia
- Detectar tensión residual o inducida

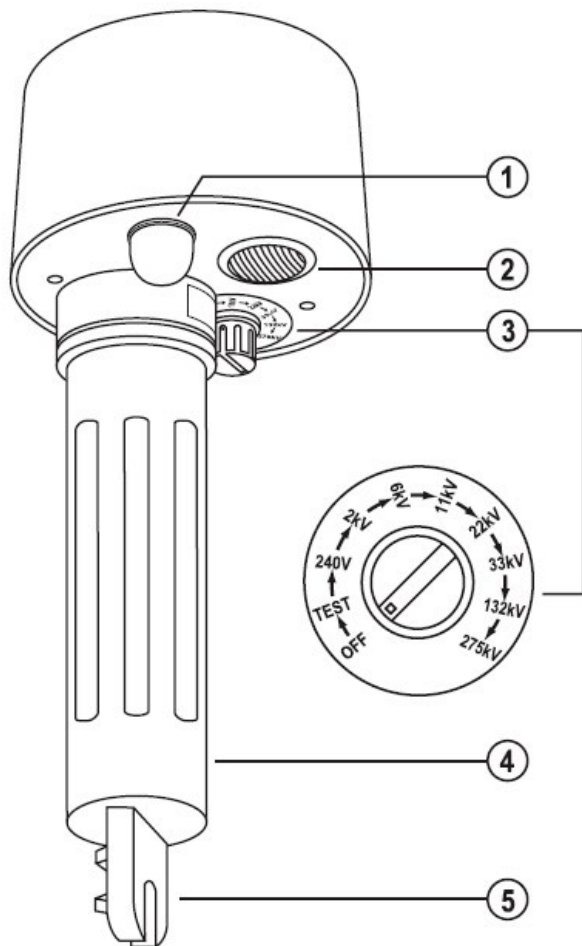
ADVERTENCIA IMPORTANTE: El 275HVD, detecta campos eléctricos irradiados. Para que esto se logre, la muestra o el cable energizado deben irradiar un campo eléctrico. Los cables o muestras blindadas no irradian o irradian campos eléctricos muy débiles. Además, los cables con neutros concéntricos irradian un campo eléctrico menor que los cables aislados comunes.



El 275HVD puede no detectar, como se espera, el campo eléctrico en cables blindados (los cables enterrados normalmente son blindados) o muestras blindadas y el 275HVD tiene una sensibilidad menor frente a cables con neutros concéntricos.

No se recomienda el uso del 275HVD en cables o muestras blindadas. Tenga mucho cuidado con cables con neutros concéntricos (utilice un ajuste bajo).

2.3 CARACTERÍSTICAS



1. Luz de Advertencia - LED rojo brillante, de bajo consumo de corriente que se enciende al detectar tensión
2. Señal Acústica de alta intensidad que se activa al detectar tensión
3. Selector giratorio con las siguientes posiciones:
 - OFF - Desconecta el sensor
 - TEST - Verifica el buen funcionamiento de los circuitos
 - 240 V - 2 kV - 6 kV - 11 kV - 22 kV - 33 kV - 132 kV - 275 kV
4. Compartimento de baterías
5. Ranura universal para acople de pértigas

3. ESPECIFICACIONES

3.1 ELÉCTRICAS

Rangos: 240 V, 2 kV, 6 kV, 11 kV, 22 kV, 33 kV, 132 kV, 275 kV

Frecuencia de detección: (40 a 70) Hz

Alimentación: Tres baterías tipo C de 1,5 V

Consumo de energía: 40 mA

Lámpara de señal: 47 lux a 20 cm

Volumen de sonido: 75 dB a 1 m del detector

Seguridad eléctrica: EN 61326-1, EN 61000-4-2, EN 61000-4-3, EN 55011

3.2 MECÁNICAS

Altura del maletín: 229 mm (9 pulg.)

Ancho del maletín: 96 mm (3,78 pulg.)

Protección de la carcasa: IP65 según IEC 526

Peso: 0,59 kg (1,3 lbs) incluyendo las baterías

Prueba de choque: IEC 68-2-29

Prueba de vibración: EN 61010, cláusula 8.3

Prueba de caída: EN 61010, cláusula 8.4

Prueba de impacto: EN 61010, cláusula 8.2

3.3 AMBIENTALES

Temperatura de operación: (-15 a 55) °C / (5 a 130) °F

Temperatura de almacenaje: (-20 a 65) °C / (-4 a 150) °F

Humedad: (0 a 93) % HR en 40 °C (104 °F)

Temperatura fría: IEC 68-2-1

Calor seco: IEC 68-2-2

Calor húmedo: IEC 68-2-3



3.4 NIVELES DE DETECCIÓN

El 275HVD se utiliza acercándolo a un conductor energizado hasta que se encienden la luz de advertencia y la señal acústica. Está diseñado para detectar una tensión inferior a la del rango seleccionado.

Los siguientes valores corresponden a una respuesta típica del 275HVD. Puede haber variaciones entre una unidad y otra. Como regla general, en un entorno **limpio**, el 275HVD se disparará con un (45 - 65) % del rango de tensión a una distancia de 10 cm (4 pulg.) y detectará la tensión seleccionada a una distancia de (20 a 30) cm / (8 a 12) pulg.

Los siguientes valores indican las distancias a las cuales el 275HVD detectará una tensión determinada. Tome en cuenta que estas pruebas fueron realizadas en condiciones ideales (un solo conductor sin cubierta, en entorno de laboratorio, con cabeza sensora perpendicular al conductor) y no representan en su totalidad un entorno de trabajo, donde pueden estar presentes otras tensiones que pueden afectar los resultados finales.

Las distancias deben tomarse como referencia y no como especificaciones eléctricas. Se debe tener cuidado cuando se está en presencia de otros conductores que pueden ser detectados también por el 275HVD (ver § 4.2). Las mediciones se basan en un ángulo de 90 ° (cabeza sensora perpendicular al conductor).

Rango	Distancia	Tensión Detectada
240 V	10 cm -14 pulg.	75 V – 90 V
2 kV	10 cm -14 pulg.	1,3 kV
6 kV	10 cm -14 pulg.	3,6 kV
11 kV	10 cm -14 pulg.	7,5 kV
22 kV	10 cm -14 pulg.	11 kV
33 kV	10 cm -14 pulg.	19,5 kV
132 kV	10 cm -14 pulg.	No Clasificado
275 kV	10 cm -14 pulg.	No Clasificado

Rango	Tensión	Distancia
240 V	240 V	27 cm - 10,5 pulg.
2 kV	2 kV	27 cm - 10,5 pulg.
6 kV	6 kV	29 cm - 11,5 pulg.
11 kV	11 kV	27 cm - 10,5 pulg.
22 kV	22 kV	31 cm - 12,2 pulg.
33 kV	33 kV	28 cm - 11,0 pulg.
132 kV	132 kV	25 cm - 10,0 pulg.
275 kV	275 kV	25 cm - 10,0 pulg.

La siguiente información nos da las distancias típicas de detección al usar un rango de voltaje inferior al voltaje de línea.

Tome nota que las distancias pueden variar en cada unidad y serán afectadas por las condiciones ambientales reales. Los valores que se presentan fueron obtenidos en un ambiente ideal de laboratorio y no pueden representar cada ambiente de trabajo.

RANGO	TENSIÓN	DISTANCIA
240 VCA	500 VCA	32 cm - 12 pulg.
240 VCA	1 kVCA	48 cm - 18 pulg.
240 VCA	2 kVCA	75 cm - 29 pulg.
240 VCA	6 kVCA	124 cm - 48 pulg.
240 VCA	11 kVCA	146 cm - 57 pulg.
240 VCA	22 kVCA	226 cm - 89 pulg.

RANGO	TENSIÓN	DISTANCIA
2 kVCA	6 kVCA	40 cm - 16 pulg.
2 kVCA	11 kVCA	52 cm - 20 pulg.
2 kVCA	22 kVCA	60 cm - 24 pulg.
2 kVCA	33 kVCA	92 cm - 36 pulg.

RANGO	TENSIÓN	DISTANCIA
6 kVCA	11 kVCA	61 cm - 24 pulg.
6 kVCA	22 kVCA	75 cm - 29 pulg.
6 kVCA	33 kVCA	105 cm - 41 pulg.

RANGO	TENSIÓN	DISTANCIA
11 kVAC	22 kVCA	35 cm - 13 pulg.
11 kVAC	33 kVCA	42 cm - 16 pulg.

RANGO	TENSIÓN	DISTANCIA
22 kVCA	33 kVCA	36 cm - 14 pulg.

4. OPERACIÓN

4.1 PRECAUCIONES PREVIAS AL USO

El Detector de Alta Tensión Sin Contacto se debe inspeccionar antes de usarse para detectar indicadores visibles de daños. Se debe verificar el estado de las baterías y realizar las pruebas descritas más adelante para asegurarse de que el instrumento esté funcionando correctamente.

Si al recibirlo por primera vez hay signos de daño o el instrumento no funciona correctamente, devuélvalo al distribuidor donde lo compró.

4.2 LIMITACIONES DEL MODELO 275HVD



Ver Advertencias en las Páginas 24 y 25

- Probar tensiones en cables formados por múltiples fases puede ser un problema. Particularmente, en los cables trenzados con múltiples fases puede haber una cancelación de sus campos eléctricos (suma vectorial), lo que produce una señal de campo detectable mucho más débil. Esto puede conducir a una no-detección si el rango ajustado es muy alto. Si ocurre esta situación pruebe con un rango más bajo. **¡Tome en cuenta que la tensión real en la línea puede ser mucho más alta!**
- Pueden ocurrir problemas al probar circuitos trifásicos en un transformador de 275 kV/133 kV/11 kV. El campo eléctrico de las barras bus de AT y MT puede disparar el detector si éste se encuentra aproximadamente a un metro (3 pies aprox.) sobre el suelo. Los usuarios deben tomar en cuenta que esto es común en la mayoría de los detectores de tensión por campo eléctrico. El 275HVD puede tomar campos eléctricos de circuitos adyacentes al circuito que se está probando y puede dar una información errónea al usuario.
- La sensibilidad al campo eléctrico se reduce cuando en 275HVD se usa cerca de puntos de tierra.
- El Modelo 275HVD funciona en cables de neutro concéntrico.
- El Modelo 275HVD **no** funciona en cables blindados.

4.3 REVISIÓN DEL 275HVD

Ajuste la sensibilidad a la posición **TEST**. Debe sonar la señal acústica continuamente y la luz LED debe encenderse. Esto indica que el sensor está operando y la batería está funcionando.

Realice los pasos siguientes para asegurar que el 275HVD detecta la tensión sobre un conductor que se sabe que está energizado.

- Seleccione el rango 240 VCA y coloque la cabeza del sensor cerca de un conductor (de baja tensión) energizado (si no hay uno disponible, frote el sensor con una tela o con la ropa para generar una carga estática CC que disparará el circuito de detección del sensor).
- La luz de advertencia y la señal acústica deberían encenderse como si se estuviese probando un conductor energizado.



NOTA: Al colocar la cabeza del sensor cerca de una pantalla de computadora o una pantalla de televisor (no del tipo de cristal líquido) también se debería disparar el probador en el rango de 240 V.

4.4 PRUEBA DE ALTA TENSION



Ver Advertencias en las Páginas 24 y 25

El Detector de Alta Tensión Sin Contacto 275HVD funciona por proximidad. No está diseñado para entrar en contacto físico con conductores energizados. Su sensor detecta el campo irradiado en torno a los conductores energizados.



No toque conductores energizados con el Detector de Alta Tensión Sin Contacto 275HVD.

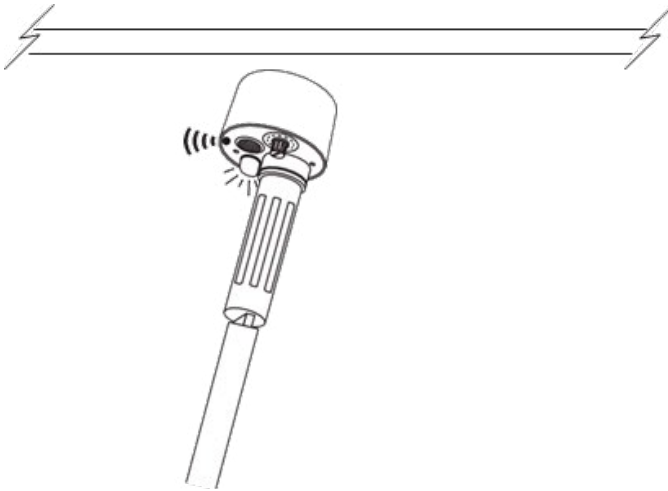
La intensidad del campo irradiado aumenta con la tensión y disminuye rápidamente con la distancia y/o el aislamiento a tierra. El campo irradiado por un cable cuyos conductores de energía trifásica están muy juntos, tiende a cancelarse (ver § 4.2). El selector rotatorio (atenuador) se usa para identificar y diferenciar cables de alta tensión energizados.



El comprobador sólo se debe usar con una pértiga aislada adecuada al medir alta tensión.

Después de comprobar el 275HVD y asegurarse que está operando correctamente, seleccione el rango de prueba. Es recomendable comenzar con un rango menor que la tensión de trabajo real y luego probar con rangos mayores. El usuario también puede optar por usar rangos inferiores para probar la presencia de tensiones menores en un conductor.

Con el 275HVD puesto en el extremo de una pértiga, acérquelo al conductor energizado hasta que se disparen las señales de advertencia.



4.5 PRUEBA DE BAJA TENSIÓN



Ver Advertencias en las Páginas 24 y 25

El Detector de Alta Tensión Sin Contacto 275HVD funciona por proximidad. El 275HVD no está diseñado para entrar en contacto físico con conductores energizados. Su sensor detecta el campo irradiado en torno a los conductores vivos.



No toque conductores energizados con el Detector de Alta Tensión Sin Contacto 275HVD.

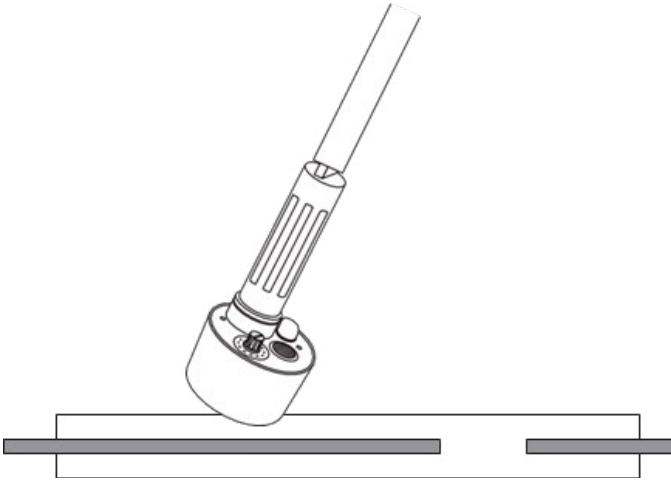
La intensidad del campo irradiado aumenta con la tensión y disminuye rápidamente con la distancia y/o el aislamiento de tierra. El campo irradiado por un cable cuyos conductores de energía trifásica están muy juntos, tiende a cancelarse (vea § 4.2). La distancia de detección para un solo conductor energizado con 250 VCA es de aproximadamente 10 cm (4 pulg.). Cuando está agrupado con un conductor neutro y otro de tierra en un cable flexible, la distancia se reduce a 5 cm (2 pulg.) o menos.

4.6 FALLAS (APERTURAS) EN CABLES



Ver Advertencias en las Páginas 24 y 25

El 275HVD puede detectar fallas en ciertos cables flexibles. Si el cable aún está energizado, ajuste la sensibilidad del 275HVD de modo que se active y luego mueva el 275HVD a lo largo del cable hasta que haya un cambio en la condición del instrumento. La alarma sonora y el LED deberán estar activos cuando el sensor esté sobre el lado energizado de la apertura y se deberán desactivar cuando el sensor esté del otro lado.



4.7 REEMPLAZO DE LAS BATERÍAS

Se debe revisar las baterías con un probador y reemplazarlas periódicamente. El Detector de Alta Tensión Sin Contacto 275HVD usa 3 baterías de 1,5 V tipo **C**. Abra el compartimento de las baterías (gire el mango en contra de las manecillas del reloj) para retirar las baterías. Observe la polaridad al instalar las baterías nuevas.

5. MANTENIMIENTO

5.1 REPARACIÓN Y CALIBRACIÓN

Para garantizar que su instrumento cumple con las especificaciones de fábrica, recomendamos enviarlo a nuestro centro de servicio una vez al año para que se le realice una recalibración, o según lo requieran otras normas o procedimientos internos.

Para reparación y calibración de instrumentos:

Comuníquese con nuestro departamento de reparaciones para obtener un formulario de autorización de servicio (CSA). Esto asegurará que cuando llegue su instrumento a fábrica, se identifique y se procese oportunamente. Por favor, escriba el número de CSA en el exterior del embalaje. Si el instrumento se devuelve para ser calibrado, especifique si se desea calibración estándar o calibración trazable al N.I.S.T. (incluye certificado de calibración más datos de calibración registrados).

América Norte / Centro / Sur, Australia y Nueva Zelanda:

Envíe a: Chauvin Arnoux®, Inc. d.b.a. AEMC® Instruments
15 Faraday Drive, Dover, NH 03820 USA
Teléfono: +1 (603) 749-6434 (Ext. 360)
Fax: +1 (603) 742-2346
Correo electrónico: repair@aemc.com

(O contacte a su distribuidor autorizado.)

Contáctenos para obtener precios de reparación, calibración estándar y calibración trazable al N.I.S.T.



NOTA: Debe obtener un número de CSA antes de devolver cualquier instrumento.

5.2 ASISTENCIA TÉCNICA

En caso de tener un problema técnico o necesitar ayuda con el uso o aplicación adecuados de su instrumento, llame, envíe un fax o un correo electrónico a nuestro equipo de asistencia técnica:

Contacto:

Chauvin Arnoux®, Inc. d.b.a. AEMC® Instruments
Teléfono: +1 (603) 749-6434 (Ext. 351-inglés / Ext. 544-español)
Fax: +1 (603) 742-2346
Correo electrónico: techsupport@aemc.com

5.3 GARANTÍA LIMITADA

Su instrumento de AEMC® Instruments está garantizado contra defectos de manufactura por un período de tres años a partir de la fecha de compra original. Esta garantía limitada es otorgada por AEMC® Instruments y no por el distribuidor que hizo la venta del instrumento. Esta garantía quedará anulada si la unidad ha sido alterada o maltratada, si se abrió su carcasa, o si el defecto está relacionado con servicios realizados por terceros y no por AEMC® Instruments.

La información detallada sobre la cobertura completa de la garantía, y la registración del instrumento están disponibles en nuestro sitio web, de donde pueden descargarse para imprimirlos:

www.aemc.com/warranty.html

Imprima la información de cobertura de garantía online para sus registros.

AEMC® Instruments realizará lo siguiente:

En caso de que ocurra una falla de funcionamiento dentro del período de garantía, AEMC® Instruments reparará o reemplazará el material dañado; para ello se debe contar con los datos de registro de garantía y comprobante de compra. El material defectuoso se reparará o reemplazará a discreción de AEMC® Instruments.

REGISTRE SU PRODUCTO EN: www.aemc.com/warranty.html

5.3.1 Reparaciones de Garantía

Para devolver un instrumento para reparación bajo garantía:

Solicite un formulario de autorización de servicio (CSA) a nuestro departamento de reparaciones; luego envíe el instrumento junto con el formulario CSA debidamente firmado. Por favor, escriba el número del CSA en el exterior del embalaje. Despache el instrumento, franqueo o envío prepagado a:

Chauvin Arnoux®, Inc. d.b.a. AEMC® Instruments

15 Faraday Drive, Dover, NH 03820 USA

Teléfono: +1 (603) 749-6434

Fax: +1 (603) 742-2346

Correo electrónico: repair@aemc.com

Precaución: Recomendamos que el material sea asegurado contra pérdidas o daños durante su envío.



NOTA: Debe obtener un número de CSA antes de devolver cualquier instrumento.



08/24
99-MAN 100264 v14

AEMC® Instruments
15 Faraday Drive • Dover, NH 03820 USA
Phone/Teléfono: +1 (603) 749-6434 • +1 (800) 343-1391 • Fax: +1 (603) 742-2346
www.aemc.com
