

# Bench-Top Type Temperature (& Humidity) Chamber

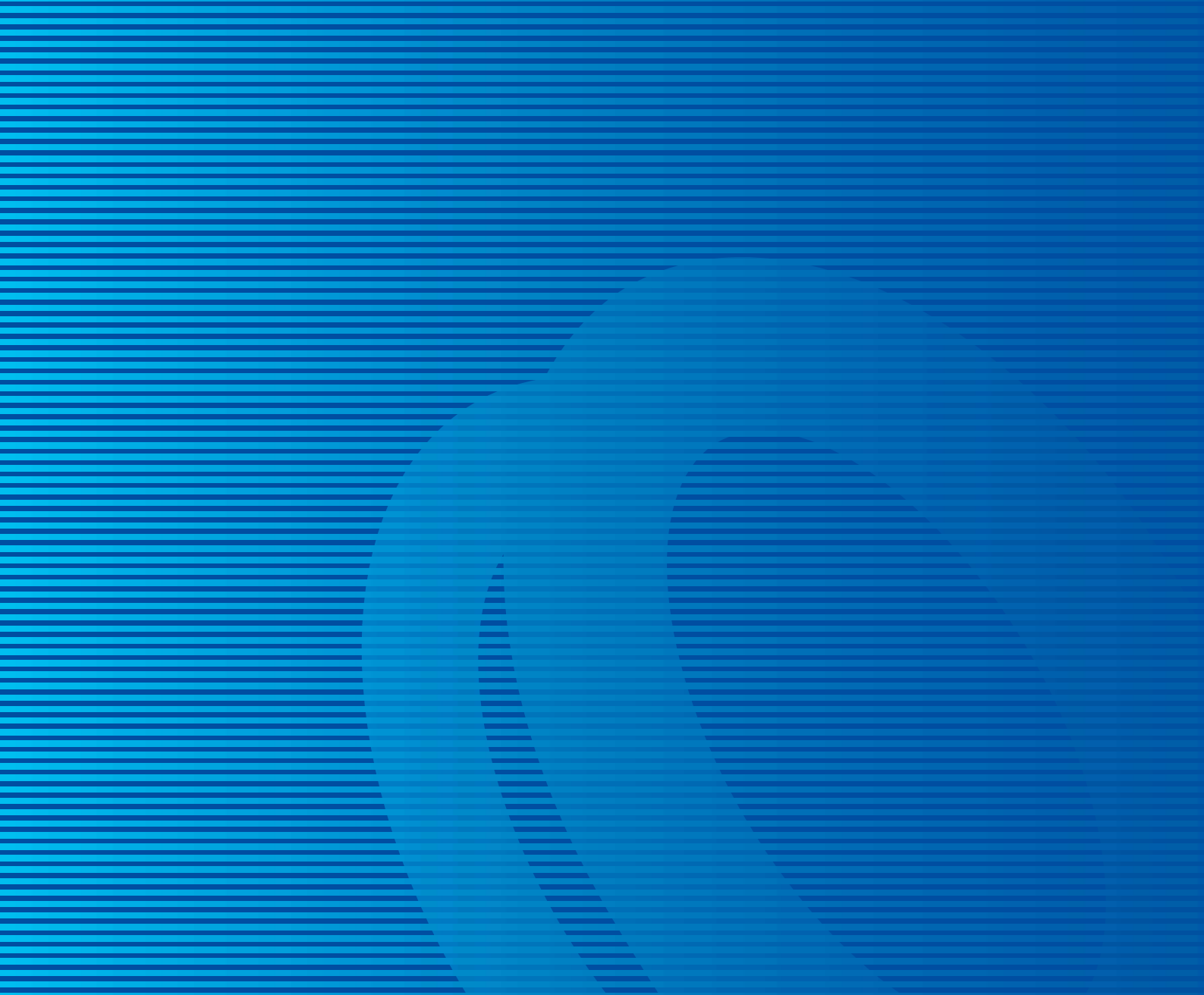
SH·SU  
LH·LHL·LHU·LU



# Compact design for personal use Ready to network with your computer.

Introducing a new lineup of our Bench-top Type Temperature (& Humidity) Chamber Series. Our latest models achieve superb performance in a compact size, and attains temperatures as low as - 20 / - 40 / - 60 , with capacity of 20L or 60L. They provide high performance and quality features with new capabilities for integration with our information network system, E-PILOT 21 . It is useful for centralized control and data processing, as well as operating chamber control. All brought to you by ESPEC.







Testarea (60L model)

## ● Small size & light weight

Chamber size is a compact 440W × 560H × 695Dmm (excluding protrusion), while its weight is only 66kg. Ensured the inside test area dimension at 300W × 300H × 250Dmm. (SU-221• 241 100V AC model) .

## ● Compact design with high performance — SH-661

The new model SH-661 achieves - 60 to + 150 / 30 to 95%rh in a compact design, and shows outstanding performance than any other previous bench-top models.

## ● Select your optimum chamber from a full variation

The series provide six variations in temperature (& humidity) range of - 20 / - 40 / - 60 to + 150 (and 30 to 95%rh), and two capacities of 20L or 60L, with a total of 10 models altogether. A wide temperature (& humidity) range is offered in a bench-top model, enabling you to choose the right chamber.

\*Please refer to page 9.

## ● Temperature (& Humidity) Cabinets LH, LHL, LHU, LU

These are reasonably-priced cabinets that can be used for a variety of purposes. They have a 105 L capacity and create a stable internal environment.

\*Please refer to page 13 and 14.

## ● Evaluation of ion migration

Operating the Bench-Top Type Temp. (& Humid.) Chamber with ESPEC's Ion Migration Evaluation System (AMI) (sold separately) enables more precise ion migration evaluation.



Example of the Bench-Top Type Temp. (& Humid.) Chamber connected with the Ion Migration Evaluation System (sold separately)

# Eco-friendly

- **Newly developed refrigeration system that saves energy consumption up to 55%**

Our exclusive refrigerator capacity variable control system saves up to 55% energy consumption compared to our previous model.

- **Optional stand for space-saving layout**

The L type and H type stands are available with casters so that you can move them easily. The taller H type stand allows you to store the shorter L type stand under it. Combining both stands, you can use them as a single stand to stack two chambers.

\*When installing the stand, secure it to the floor with the earthquake-resistant fittings supplied with the stand for your safety.



L type and H type stands (optional)

- **Recycling**

Molded resin and metal parts which can be recycled are clearly marked to make recyclable materials easier to identify during disassembly.

- **Ozone layer protection**

The HFC refrigerant used is completely safe for the ozone layer.

- **Paperless Recording (optional)**

The paperless recorder makes it easy record the temperatures of different components, such as the chamber temperature, on a memory card (Compact Flash).



L type and H type stands (optional)



Cable port plug (Material marked)



Paperless recorder Portable type (optional)

# User-friendly



## ● Cable ports for running in wires

Each one 25mm diameter cable port is standard equipped on both sides of the chamber for wiring to the specimen. We also provide 50mm, 100mm diameter port and flat type cable port.

## ● Cartridge tank for easy water supply

Once water is supplied into the tank, continuous operation is maintained for three days. Maintenance can be done easily from the front side. Additional water tank connection is available for further extended operation. (SH model)

## ● Right-opening door (optional)

You may want to change the direction of opening the door to fit the installation space.

## ● Viewing window for observation (optional)

A large window provides a clear view of your specimen during testing.  
(215W × 215Hmm for 20L model,  
215W × 315Hmm for 60L model)

\*The basic specification of the chamber will be modified. Please refer to page 11.



Water supply tank

## ● Flexible Computer Interface

Communication port RS-485 is equipped as standard. You can select RS-232C, GPIB, and E-BUS communication port as option.



Right-opening door (optional)



Viewing window (optional)

# Control operation



## ● Easy operation with 9 keys

Temperature & humidity setting and upper/lower temperature & humidity limit alarm setting can be done with simple key operation.

## ● Programming operation of up to 9 steps

In addition to constant setting, programming instrumentation is equipped to allow programmable operation to a maximum of 9 steps per pattern and the rise and fall gradient of temperature (& humidity) to be set to meet the application requirements for temperature characteristic testing and temperature (& humidity) cycle testing. Maximum 99-time repeat function and operational setting function after program execution are just two of the various functions offered.

## ● Network system E-PILOT 21 (Sold separately)

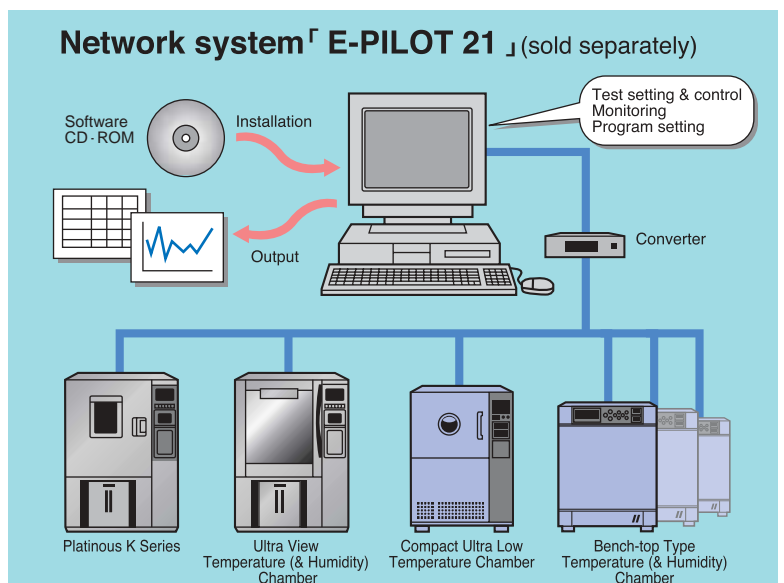
E-PILOT 21 is ESPEC's suite of networking tools for communicating between a computer and our environmental testing chambers. It enables the management of chamber operation and test settings from a remote location. Additionally, measurement data and system status can be constantly monitored and recorded on the computer.

## Description of program function

Program function	Pattern
Step program	
Temperature gradient program	
Termination program	

\*1 Sets a program repetition frequency between a range of 1 and 99.

\*2 Selects HOLD, CONST or OFF when a program is over.



Model	SH-221	SH-241	SH-261	SH-641	SH-661		
Power supply	100V AC 1 50/60Hz, 115V AC 1 60Hz 220V AC 1 50/60Hz, 230V AC 1 50Hz 230V AC 1 50Hz (Compliance with CE Marking)			100V AC 1 50/60Hz, 200V AC 1 50/60Hz 220V AC 1 50/60Hz, 230V AC 1 50Hz 230V AC 1 50Hz (Compliance with CE Marking)			
Maximum current *1	100V	12.5A	13.5A	18.0A			
	115V	12.0A	13.0A	—			
	200V	—			10.0A		
	220V	7.0A	7.5A	9.0A			
	230V	6.5A	7.0A	8.5A			
Temperature and humidity control system	Balanced Temperature & Humidity Control system (BTHC system)						
Operation temperature	+ 5 to + 35 ( + 41 to + 95°F )						
Performance *2	Temperature range *3	- 20 to + 150 ( - 4 to + 302°F )	- 40 to + 150 ( - 40 to + 302°F )	- 60 to + 150 ( - 76 to + 302°F )	- 40 to + 150 ( - 40 to + 302°F )	- 60 to + 150 ( - 76 to + 302°F )	
	Humidity range *3	30 to 95%rh (Refer to diagram of temperature & humidity control range)					
	Temperature fluctuation *3	±0.3 ( - 20 to + 100 ) [ ±0.54°F ( - 4 to + 212°F ) ] ±0.5 ( + 100.1 to + 150 ) [ ±0.9°F ( + 212.1 to + 302°F ) ]	±0.3 ( - 40 to + 100 ) [ ±0.54°F ( - 40 to + 212°F ) ] ±0.5 ( + 100.1 to + 150 ) [ ±0.9°F ( + 212.1 to + 302°F ) ]	±0.3 ( - 60 to + 100 ) [ ±0.54°F ( - 76 to + 212°F ) ] ±0.5 ( + 100.1 to + 150 ) [ ±0.9°F ( + 212.1 to + 302°F ) ]	±0.3 ( - 40 to + 100 ) [ ±0.54°F ( - 40 to + 212°F ) ] ±0.5 ( + 100.1 to + 150 ) [ ±0.9°F ( + 212.1 to + 302°F ) ]	±0.3 ( - 60 to + 100 ) [ ±0.54°F ( - 76 to + 212°F ) ] ±0.5 ( + 100.1 to + 150 ) [ ±0.9°F ( + 212.1 to + 302°F ) ]	±0.3 ( - 60 to + 100 ) [ ±0.54°F ( - 76 to + 212°F ) ] ±0.5 ( + 100.1 to + 150 ) [ ±0.9°F ( + 212.1 to + 302°F ) ]
	Humidity fluctuation *3	± 3.0%rh					
	Temperature uniformity *3	±0.5 ( - 20 to + 100 ) [ ±0.9°F ( - 4 to + 212°F ) ] ±0.8 ( + 100.1 to + 150 ) [ ±1.44°F ( + 212.1 to + 302°F ) ]	±0.5 ( - 40 to + 100 ) [ ±0.9°F ( - 40 to + 212°F ) ] ±0.8 ( + 100.1 to + 150 ) [ ±1.44°F ( + 212.1 to + 302°F ) ]	±0.5 ( - 60 to + 100 ) [ ±0.9°F ( - 76 to + 212°F ) ] ±0.8 ( + 100.1 to + 150 ) [ ±1.44°F ( + 212.1 to + 302°F ) ]	±0.5 ( - 40 to + 100 ) [ ±0.9°F ( - 40 to + 212°F ) ] ±0.8 ( + 100.1 to + 150 ) [ ±1.44°F ( + 212.1 to + 302°F ) ]	±0.5 ( - 60 to + 100 ) [ ±0.9°F ( - 76 to + 212°F ) ] ±0.8 ( + 100.1 to + 150 ) [ ±1.44°F ( + 212.1 to + 302°F ) ]	±0.5 ( - 60 to + 100 ) [ ±0.9°F ( - 76 to + 212°F ) ] ±0.8 ( + 100.1 to + 150 ) [ ±1.44°F ( + 212.1 to + 302°F ) ]
	Humidity uniformity *3	± 3.0%rh					
	Temperature heat-up rate	- 20 to + 150 within 55 min.	- 40 to + 150 within 60 min.	- 60 to + 150 within 70 min.	- 40 to + 150 within 70 min.	- 60 to + 150 within 80 min.	
	Temperature pull-down rate	+ 20 to - 20 within 20 min.	+ 20 to - 40 within 50 min.	+ 20 to - 60 within 70 min.	+ 20 to - 40 within 60 min.	+ 20 to - 60 within 90 min.	
	Lowest attainable temperature	- 20 ( - 4°F )	- 40 ( - 40°F )	- 60 ( - 76°F )	- 40 ( - 40°F )	- 60 ( - 76°F )	
	Construction	Exterior material	Painted steel				
Interior material		18-8 Cr-Ni stainless steel plate (SUS 304)					
Insulation		Rigid polyurethane foam, Glass wool					
Door		one-panel door (right handle, left hinge)					
Instrumentation panel		Temperature & humidity indicator controller, Overheat protector, Overcool protector					
Heater		Nichrome-stripped wire heater					
Humidifier		400W 18-12-2.5 Cr-Ni-Mo stainless steel sheathed heater 250W					
Refrigeration system		Mechanical single-stage refrigerator system		Mechanical cascade condenser refrigeration system			
Cooler		Plate fin cooler					
Refrigerator		Compressor: Air-cooled hermetically sealed compressor, Condenser: Air-cooled condenser, Expansion mechanism: Capillary tube					
Refrigerator capacity		400W		400W + 400W			
Refrigerant		R404A		R404A, R23			
Fittings		Connecting terminal for temp & humid recorder terminal, Specimen power supply control terminal, External alarm terminal, External output terminal, Cable ports, Power cord/ plug, Drain pipe, Water supply tank, Quick on/ off plug for water drainage, Water level sensor for water supply tank/ drain socket for tank					
Noise *4	55dB		59dB		61dB		
Heat exhaust	3500kJ/h		4000kJ/h		5040kJ/h		
Water supply	Tank capacity	Approx. 5.0L					
	Water quality	Conductivity 0.1 to 10µs/cm (Ultrapure water cannot be used.)					
Dimensions	Inside dimensions (W×H×D mm/ in)	300 × 300 × 250/ 11.8 × 11.8 × 9.8 (excluding protrusions)			400 × 400 × 400/ 15.7 × 15.7 × 15.7 (excluding protrusions)		
	Outside dimensions (W×H×D mm/ in)	440 × 630 × 695/ 17.3 × 24.8 × 27.4 (730/ 28.7D when including protrusions)		440 × 630 × 785/ 17.3 × 24.8 × 30.9 (825/ 32.5 when including protrusions)		540 × 730 × 890/ 21.3 × 28.7 × 35.0 (930/ 36.6D when including protrusions)	
Capacity (L)	22.5			64			
Weight (kg)	71 (76 for 115, 220, 230V)		100		122		

\*1 At + 23 ambient temperature, value at stable voltage application. For SH-641/ 661, make sure to check the capability of your power equipment in advance.

\*2 At + 23 ambient temperature, value at stable voltage application with no specimen. Lowest attainable temperature value at ambient of up to + 30 .

\*3 In accordance with Standard for Performance of Humidity Chamber (JTM-K01-1998) of standard of Japan Testing Machinery Association.

\*4 At 1m from front of chamber, 1.2m from floor (depending on environment)



Model	SU-221	SU-241	SU-261	SU-641	SU-661		
Power supply	100V AC 1 50/60Hz, 115V AC 1 60Hz 220V AC 1 50/60Hz, 230V AC 1 50Hz 230V AC 1 50Hz (Compliance with CE Marking)			100V AC 1 50/60Hz, 200V AC 1 50/60Hz 220V AC 1 50/60Hz, 230V AC 1 50Hz 230V AC 1 50Hz (Compliance with CE Marking)			
Maximum current *1	100V	10.0A	13.5A	18.0A			
	115V	9.5A	13.0A	—			
	200V	—			10.0A		
	220V	6.0A	7.5A	9.0A			
	230V	5.5A	7.0A	8.5A			
Temperature control system	Balanced Temperature control system (BTC system)						
Operation temperature	+ 5 to + 35 ( + 41 to + 95°F )						
Performance *2	Temperature range *3	- 20 to + 150 ( - 4 to + 302°F )	- 40 to + 150 ( - 40 to + 302°F )	- 60 to + 150 ( - 76 to + 302°F )	- 40 to + 150 ( - 40 to + 302°F )	- 60 to + 150 ( - 76 to + 302°F )	
	Temperature fluctuation *3	±0.3 ( - 20 to +100 ) [ ±0.54°F ( - 4 to +212°F ) ] ±0.5 ( +100.1 to +150 ) [ ±0.9°F ( +212.1 to +302°F ) ]	±0.3 ( - 40 to +100 ) [ ±0.54°F ( - 40 to +212°F ) ] ±0.5 ( +100.1 to +150 ) [ ±0.9°F ( +212.1 to +302°F ) ]	±0.3 ( - 60 to +100 ) [ ±0.54°F ( - 76 to +212°F ) ] ±0.5 ( +100.1 to +150 ) [ ±0.9°F ( +212.1 to +302°F ) ]	±0.3 ( - 40 to +100 ) [ ±0.54°F ( - 40 to +212°F ) ] ±0.5 ( +100.1 to +150 ) [ ±0.9°F ( +212.1 to +302°F ) ]	±0.3 ( - 60 to +100 ) [ ±0.54°F ( - 76 to +212°F ) ] ±0.5 ( +100.1 to +150 ) [ ±0.9°F ( +212.1 to +302°F ) ]	±0.3 ( - 60 to +100 ) [ ±0.54°F ( - 76 to +212°F ) ] ±0.5 ( +100.1 to +150 ) [ ±0.9°F ( +212.1 to +302°F ) ]
	Temperature uniformity *3	±0.5 ( - 20 to +100 ) [ ±0.9°F ( - 4 to +212°F ) ] ±0.8 ( +100.1 to +150 ) [ ±1.44°F ( +212.1 to +302°F ) ]	±0.5 ( - 40 to +100 ) [ ±0.9°F ( - 40 to +212°F ) ] ±0.8 ( +100.1 to +150 ) [ ±1.44°F ( +212.1 to +302°F ) ]	±0.5 ( - 60 to +100 ) [ ±0.9°F ( - 76 to +212°F ) ] ±0.8 ( +100.1 to +150 ) [ ±1.44°F ( +212.1 to +302°F ) ]	±0.5 ( - 40 to +100 ) [ ±0.9°F ( - 40 to +212°F ) ] ±0.8 ( +100.1 to +150 ) [ ±1.44°F ( +212.1 to +302°F ) ]	±0.5 ( - 60 to +100 ) [ ±0.9°F ( - 76 to +212°F ) ] ±0.8 ( +100.1 to +150 ) [ ±1.44°F ( +212.1 to +302°F ) ]	±0.5 ( - 60 to +100 ) [ ±0.9°F ( - 76 to +212°F ) ] ±0.8 ( +100.1 to +150 ) [ ±1.44°F ( +212.1 to +302°F ) ]
	Temperature heat-up rate	- 20 to + 150 within 55 min.	- 40 to + 150 within 60 min.	- 60 to + 150 within 70 min.	- 40 to + 150 within 70 min.	- 60 to + 150 within 80 min.	
	Temperature pull-down rate	+ 20 to - 20 within 20 min.	+ 20 to - 40 within 50 min.	+ 20 to - 60 within 70 min.	+ 20 to - 40 within 60 min.	+ 20 to - 60 within 90 min.	
	Lowest attainable temperature	- 20 ( - 4°F )	- 40 ( - 40°F )	- 60 ( - 76°F )	- 40 ( - 40°F )	- 60 ( - 76°F )	
	Construction	Exterior material	Painted steel				
Interior material		18-8 Cr-Ni stainless steel plate (SUS 304)					
Insulation		Rigid polyurethane foam, Glass wool					
Door		one-panel door (right handle, left hinge)					
Instrumentation panel		Temperature indicator controller, Overheat protector, Overcool protector					
Heater		400W			600W		
Refrigeration system		Mechanical single-stage refrigerator system		Mechanical cascade condenser refrigeration system			
Cooler		Plate fin cooler					
Refrigerator		Compressor: Air-cooled hermetically sealed compressor, Condenser: Air-cooled condenser, Expansion mechanism: Capillary tube					
Refrigerator capacity		400W		400W + 400W			
Refrigerant		R404A		R404A, R23			
Fittings	Connecting terminal for temp recorder terminal, Specimen power supply control terminal External alarm terminal, External output terminal, Cable ports, Power cord/ plug, Drain pipe						
Noise *4	55dB		59dB	61dB			
Heat exhaust	3500kJ/h		4000kJ/h	5040kJ/h			
Dimensions	Inside dimensions (W×H×D mm/ in)	300×300×250/ 11.8×11.8×9.8 (excluding protrusions)			400×400×400/ 15.7×15.7×15.7 (excluding protrusions)		
	Outside dimensions (W×H×D mm/ in)	440×560×695/ 17.3×22.0×27.4 (730/ 28.7D when including protrusions)		440×560×785/ 17.3×22.0×30.9 (825/ 32.5 when including protrusions)	540×660×890/ 21.3×26.0×35.0 (930/ 36.6D when including protrusions)		
Capacity (L)	22.5			64			
Weight (kg)	66 (71 for 115, 220, 230V)		95	115			

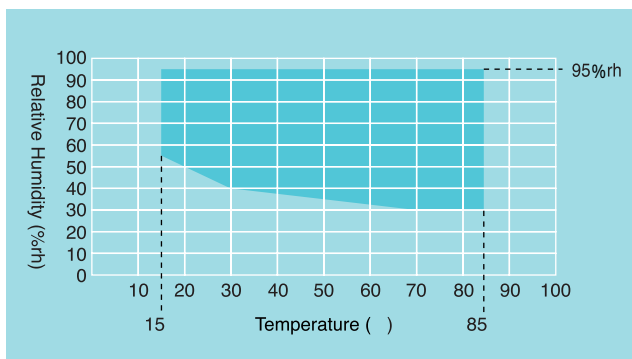
\*1 At + 23 ambient temperature, value at stable voltage application. For SU-641/ 661, make sure to check the capability of your power equipment in advance.

\*2 At + 23 ambient temperature, value at stable voltage application with no specimen. Lowest attainable temperature value at ambient of up to + 30 .

\*3 In accordance with Standard for Performance of Humidity Chamber (JTM-K01-1998) of standard of Japan Testing Machinery Association.

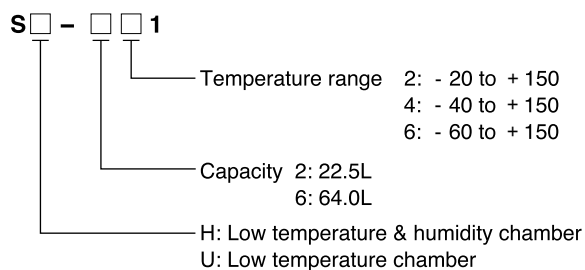
\*4 At 1m from front of chamber, 1.2m from floor (depending on environment)

## TEMPERATURE & HUMIDITY CONTROL RANGE (SH)



\* At +23 °C ambient temperature.

## MODEL



## SAFETY DEVICES

- Leakage breaker for power supply
- Thermal fuse
- Boil dry protector (SH only)
- Short circuit protection fuse for control circuit
- Overheat protector
- Overcool protector
- Air circulator temperature switch
- Specimen power supply control terminals
- Refrigerator overload relay
- Inside chamber door switch
- Upper and lower temperature & humidity limit alarms (built inside temperature & humidity controller)
- Sensor burn-out detection circuit (built inside temperature & humidity controller)
- Watchdog timer (built inside temperature & humidity controller)
- Refrigerator automatic delay circuit (built inside temperature & humidity controller)



DANGER

Do not use specimens which are explosive or inflammable, or which contain such substances. To do so could be hazardous, as this may lead to fire or explosion.

Do not place corrosive materials in the chamber. If corrosive substances or liquid is used, the life of the unit may be significantly shortened specifically because of the corrosion of stainless steel, resin and silicone materials.

Do not place life forms or substances that exceed allowable heat generation.



CAUTION

Be sure to read the instruction manual before operation.

## TEMPERATURE (& HUMIDITY) PROGRAM INDICATOR CONTROLLER

Model	ES-102
Operation mode	Program operation, Constant operation
Display	7-segment LED display
Setting	Mechanical key input
Program capacity	9 steps/ 1 pattern (1 to 99 repetitions)
Setting and indication ranges	Temp. : - 25 to + 155 (SH-221, SU-221) : - 45 to + 155 (SH-241·641, SU-241·641) : - 65 to + 155 (SH-261·661, SU-261·661) Humid. : 0 to 100 %rh (SH only) Time : 0 to 99 hours 59 minutes, 100 to 999 hours
Setting and indication resolution	Temp. : 0.1 Humid.: 1%rh (SH only) Time : 1 minute (in one hour unit for over 100 hours)
Indication accuracy *	Temp. : 0.5 (Typ.) Humid.: ± 2%rh (Typ.) (SH only) Time : within 30 sec. per month
Input	Thermocouple type T (Copper/ Copper-Nickel)
Control	PID control
Communication function	RS-485
Auxiliary functions	Input burn-out detection function Upper and lower temp. (& humid.) limit alarm function Self-diagnostic function (watchdog timer) Alarm indication function Power failure protection function Refrigerator capacity automatic control function
Battery	Lithium battery, 1

\* At +23 ± 5 °C ambient temperature

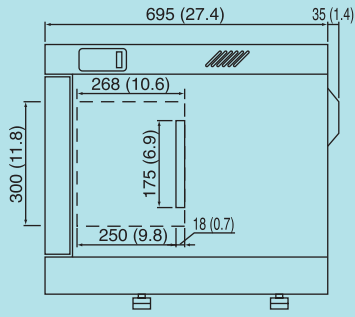
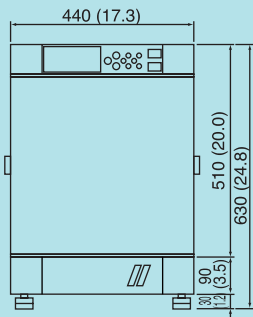
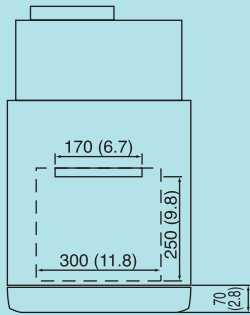
## ACCESSORIES

Shelf .....	1
Load capacity (uniformly distributed load)	
SH/ SU-221, 241, 261 .....	500g
SH/ SU-641, 661 .....	5kg
Number of shelves	
SH/ SU-221, 241, 261 .....	5 (Shelf pitch 35mm)
SH/ SU-641, 661 .....	5 (Shelf pitch 50mm)
Connector	
2P for connecting terminal for temp. & humid. recorder .....	2 (1 for SU)
6P for connecting signal terminal .....	1
Cable port plug .....	2
Cartridge fuse .....	1
Socket adaptor (100V AC, 115V AC only) .....	1
(for SH/ SU-221, 241, 261)	
Wet-bulb wick .....	1 box (SH only)
Humidifying tray drain hose 2m .....	1 (SH only)
Water tank level sensor tank drain hose 0.3m .....	1 (SH only)
User's Manual .....	1

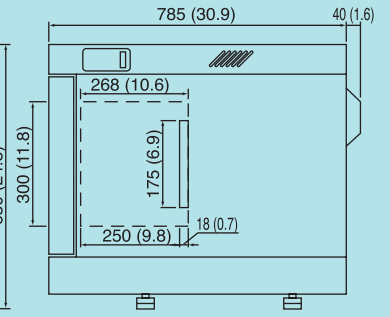
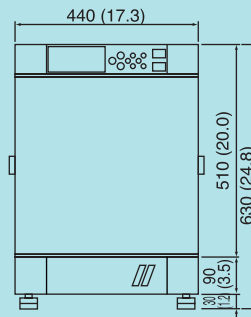
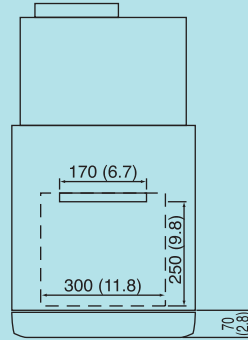
# DIMENSIONS

unit : mm (inch)

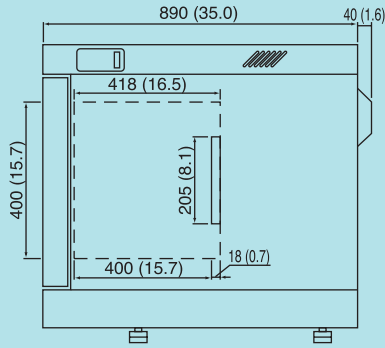
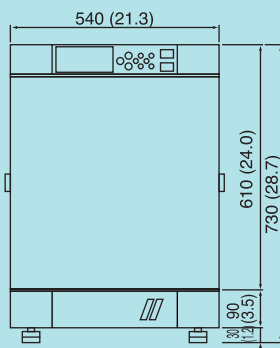
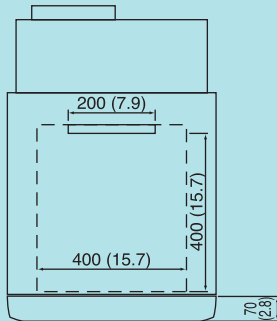
## SH-221•241



## SH-261



## SH-641•661



## OPTIONS

### Paperless recorder

Records temperature of each section such as the temperature inside the chamber.

[Temperature type]

Temperature range: - 100 to + 200

Number of inputs (Initial setting):

Temperature 1

(5 more channels can be turned ON)

Data saving cycle: 5 sec

Portable type

External recording media:

CF memory card (32MB)

Language support: ENG, JPN, CHN

[Temperature and humidity type]

Temperature range: - 50 to + 150

- 100 to + 150

Humidity range: 0 to 100%rh

Number of inputs (Initial setting):

Temperature 1 / Humidity 1

(4 more channels can be turned ON)

Data saving cycle: 5 sec

Portable type

External recording media:

CF memory cord (32MB)

Language support: ENG, JPN, CHN



Paperless recorder Portable type

### Temperature recorder

SRJ25 • - 100 to + 200

• 100mm

• Portable type

• 6 dots

⌈ Thermocouple type T ⌋

⌋ (Copper/ Copper-Nickel) ⌈

• Digital

• Free power supply

(100V AC to 240V AC)

### Temperature & humidity recorder

SRJ14 - 100 to + 150 /

0 to 100%rh (for SH)

SRJ12 - 50 to + 150 /

0 to 100%rh (for SH)

• 100mm

• Portable type

• 6 dots

(Temperature: 5 dots

Thermocouple type T

(Copper/ Copper-Nickel)

Humidity: 1 dot

DC1 to 5V

• Digital

• Free power supply

(100VAC to 240VAC)



### Wet-bulb temperature detecting terminal

Detects wet-bulb temperature inside the chamber. Equal electromotive force as Thermocouple type T (Copper/ Copper-Nickel).

Equipped with connector.

\*Not available for SU

### Thermocouple

Measures the temperature of specimens

• T (Copper/ Copper-Nickel)

• 2, 4, 6m

### Inner door

A glass door is provided inside the chamber door for observation.

\* A wiper is equipped for the SH model.



SU model

### Viewing window

A window is installed on chamber door.

SH-221• 241• 261 W215 × H215mm

SU-221• 241• 261 W215 × H215mm

SH-641• 661 W215 × H315mm

SU-641• 661 W215 × H315mm

\*In accordance with addition of the viewing window, standard specification will be changed as follows.

Temperature uniformity :

± 1.0 ( - 20 to + 100 )

± 1.5 ( + 100.1 to + 150 )

Humidity uniformity : ± 5.0%rh

Temperature heat-up rate :

standard rate + 10 min or less

Temperature pull-down rate :

standard rate + 10 min or less

( + 20 to - 35 )

standard rate +30 min or less

( + 20 to - 60 )



W215 × H215mm

### Right-opening door

Door can be exchanged to a right hinged door.

\*Not available with inner glass door option.



## OPTIONS

### Cable port

Additional cable ports are provided on the wall of chamber.

- 25, 50, 100mm diameter
- Flat cable port

\*One silicon sponge rubber port plug is equipped per one cable port.

\* Basic specification of the chamber may not be effective when equipped with a cable port.



25mm diameter type

flat type

### Cable port rubber plug

The additional silicon sponge rubber port plug .

### Shelf

Auxiliary shelves on request.

SH/ SU-221•241•261

- Effective size 200W × 150Dmm
- Load capacity (uniformly distributed load) 500g

SH/ SU-641•661

- Effective size 300W × 300Dmm
- Load capacity (uniformly distributed load) 5kg

### Specimen basket

- Size 206W × 40H × 156D mm
- Material 18-8 Cr-Ni stainless steel, 5 mesh metal basket



### Stand

This stand enhances mobility of the chamber and ease the work to load/unload the specimen.

Combining the L type and H type stands allows you to use them as a single stand to stack two chambers.

\* Be sure to secure the stand onto the floor with earthquake resistant fittings.

SH/ SU-221•241•261

- L type : 440W × 450H × 750Dmm
- H type : 630W × 1140H × 815Dmm

SH/ SU-641•661

- L type : 540W × 350H × 860Dmm
- H type : 730W × 1140H × 925Dmm



L type stand



Two chambers stacked (L type and H type stands)

### Auxiliary water tank circuit (for SH)

Automatic water supply circuit is equipped to replenish the standard tank from the auxiliary water tank.

- Supply water quality pure water (electrical conductivity 0.1 to 10 μ S/cm)
- Water supply pressure 4.9 to 19.6KPa (Gauge)

### Auxiliary water tank (for SH)

Auxiliary tanks are provided to replenish water to the standard tank.

### Tray for auxiliary water tank (for SH)

Protects water from leaking while supplying water from the auxiliary water tank.

### Communication functions

Computer interface

- GPIB
- RS-232C
- E-BUS

\*Select one other than standard RS-485.

### Communication cable

- RS-485 5, 10m
- GPIB 2, 4m
- RS-232C 1.5, 3, 5m
- E-BUS 5, 10m

# LH·LHL·LHU·LU

## (Low) Temperature & Humidity Cabinet & Low Temperature Cabinet



LU-113, LHU-113

### Temperature & humidity indicator-controller (for LHU-113)

Model	ES-102
Operating mode	Program operation, constant operation
Display	7 segment LED display
Setting	Mechanical key input
Program memory capacity	9 steps per pattern (Repetition: 1 to 99 times)
Setting and indication ranges	Temperature: - 25 to + 90 ( - 13 to + 194°F) Humidity: 0 to 100%rh Time: 0 to 99hrs 59min. 100 to 999hrs.
Setting and indication resolution	Temperature: 0.1 (0.18°F) Humidity: 1%rh Time: 1minute (1hour for 100hrs. or more)
Indication accuracy	Temperature: ± 0.5 (typ.) (± 0.9°F) Humidity: ± 2%rh (typ.) Time: within 30 seconds per month
Input	Thermocouple type T (Copper/ Copper-Nickel)
Control	PID control
Communications (Options)	RS-485, GPIB, RS-232C, E-BUS
Auxiliary functions	<ul style="list-style-type: none"> <li>• Input burn-out detection function</li> <li>• Upper and lower temp. &amp; humid. limit alarm function</li> <li>• Self-diagnostic function (watchdog timer)</li> <li>• Alarm indication function</li> <li>• Power cut protection function</li> <li>• Refrigerator capacity automatic control</li> </ul>

\*Specifications differ according to the models. For further information, please contact us.

### ● A stable internal environment

These bench-top temperature and humidity cabinets are ideal for laboratories and research facilities (LH/ LHL/ LHU). They have a wide temperature and humidity control range, and their temperature and humidity uniformity create a precise internal environment.

### ● Refrigeration unit achieves temperatures down to -20°C

The low temperature (& humidity) cabinets incorporate an air-cooled refrigerator (LHU/ LU). It delivers a wide temperature range from - 20 to + 85 . They also have an insulated cabinet, a circulating fan, and efficient heaters to ensure a stable temperature environment.

### ● PID control temperature (& humidity) controller

The PID controlled electronic temperature (& humidity) controller provides automatic control of all operations once the desired temperature (& humidity) is set.

### ● Program operation

' Constant 'or' program 'operation can be selected on the installed instrumentation. Program operation can run up to 9 steps per pattern and can specify ramp time for each step. A display is equipped to show the conditions and remaining time during operation.

### ● Upper temperature limit deviation warning

When the temperature is set, the warning function is automatically set to activate at + 10 (adjustable) above the preset temperature.

### ● Complete safety features

In addition to a ground leakage breaker, which also protects against overcurrent, every model features an overheat protector or thermal fuse as a secondary safety device to provide added protection.

## SPECIFICATIONS

Model	LH-113	LHL-113	LHU-113	LU-113	
System	Balanced temperature & humidity control system (BTHC system)			Balanced temperature control system (BTC system)	
Power supply/ Maximum current	100V AC 1 50/60Hz 15A, 115V AC 1 60Hz 13A, 220V AC 1 50/60Hz 7A, 230V AC 1 50/60Hz 6.5A			100V AC 1 50/60Hz 9A, 115V AC 1 60Hz 8A, 220V AC 1 50/60Hz 4.1A, 230V AC 1 50/60Hz 3.9A	
Operating temperature	0 to +40 ( +32 to +104°F )				
Performance *1	Temp. (& humid.) control range	(Ambient + 10) to +85 (185°F)/ 45 to 95%rh	+ 5 to + 85 ( +41 to + 185°F)/ 40 to 95%rh	- 20 to + 85 ( - 4 to + 185°F)/ 40 to 95%rh	
	Temp. (& humid.) fluctuation	±0.5 (±0.9°F)/ ±3%rh			±0.5 (±0.9°F)
	Temp. (& humid.) uniformity	±2.0 (±3.6°F)/ ±6%rh			±2.0 (±3.6°F)
Construction	External material	Painted steel (melamine coating)			
	Internal material	18-8 Cr-Ni stainless steel plate (2B polish)			
Air circulator	Propeller fan				
Heater	Sheathed heater with fin				
Humidifier	Sheathed heater			_____	
Refrigerator	_____	Air-cooled hermetically sealed compressor (HFC134a)			
Fittings	Drain port filter, cable port ( 25mm), power cord				
Accessories	(2)Shelf (Stainless steel wire), (2)Shelf bracket (18-8 Cr-Ni stainless steel), Water supply and drain hose *2 (Hose with quick coupling 8mm), Wet-bulb wick *2 (24pcs/ box), Brush *2 (for cleaning humidifying tray), Socket adapter (100V,115V AC spec. only), User's Manual				
Capacity	105L				
Inside dimensions *3	500W × 600H × 390D mm (19.7W × 23.6H × 15.4D inch)				
Outside dimensions *3	650W × 1090H × 805D mm (25.6W × 42.9H × 31.7D inch)				
Weight	85kg	95kg	100kg	90kg	
Safety devices	Leakage breaker for power supply, Boil dry protector *2, Thermal fuse, Refrigerator overload relay *4, Upper and lower temperature & humidity limit alarms, Burn-out detection circuit, Watchdog timer, Air circulator temperature switch, Refrigerator automatic delay circuit *4, Overheat protector, Float switch for protecting electromagnetic pump *2				

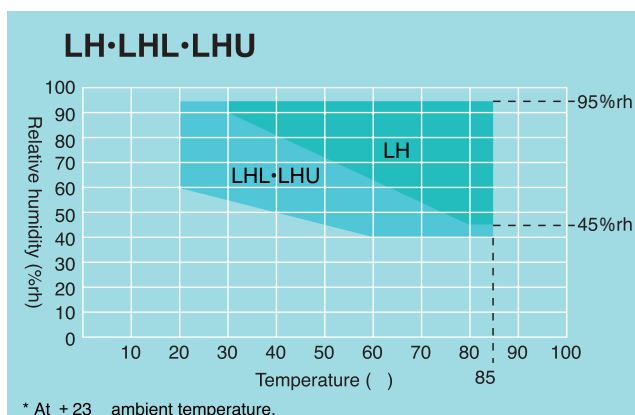
\*1 Figures for an ambient temperature of +23°C with no specimen in the chamber. The performance is according to JTM K 01-1998 of Japan Testing Machinery Association.

\*2 Except LU type.

\*3 Excluding protrusions.

\*4 Except LH type.

## TEMPERATURE & HUMIDITY CONTROL RANGE



[ NOTE ] The LH-113 is not equipped with a dehumidifying refrigerator. Therefore, the temperature and humidity control range, especially the low humidity range shown here, may fluctuate depending on the installed conditions and environment (such as ventilation, fluctuations in ambient temperature, and other factors ).

## OPTIONS

Specimen power supply control terminal

Communication functions  
(RS-485, GPIB, RS-232C, E-BUS)

Communication cable	RS-485	5, 10m
	GPIB	2, 4m
	RS-232C	1.5, 3, 5m
	E-BUS	5, 10m

Thermocouple

Inner door

Shelf/ Shelf bracket

Chamber stand

Caster

Cable port

Rubber plug for cable port

Portable water supply tank (except LU)

Wet-bulb wick (except LU)

Special spare parts

**ESPEC CORP.** <http://www.espec.co.jp/english>

**Head Office**

3-5-6, Tenjinbashi, Kita-ku, Osaka 530-8550, Japan  
Tel: 81-6-6358-4741 Fax: 81-6-6358-5500

**ESPEC NORTH AMERICA, INC.**

Tel: 1-616-896-6100 Fax: 1-616-896-6150

**ESPEC EVALUATION & TEST SYSTEMS, INC.**

Tel: 1-408-592-4059 Fax: 1-408-778-4353

**ESPEC EUROPE GmbH**

Tel: 49-89-18939630 Fax: 49-89-189396379

**ESPEC ENVIRONMENTAL EQUIPMENT (SHANGHAI) CO., LTD.**

**Head Office**

Tel: 86-21-51036677 Fax: 86-21-63372237

**BEIJING Rep. Office**

Tel: 86-10-64627025 Fax: 86-10-64627036

**TIANJIN Rep. Office**

Tel: 86-22-26210366 Fax: 86-22-26282186

**GUANGZHOU Rep. Office**

Tel: 86-20-83317826 Fax: 86-20-83317825

**SHENZHEN Rep. Office**

Tel: 86-755-83674422 Fax: 86-755-83674228

**SUZHOU Rep. Office**

Tel: 86-512-68664007 Fax: 86-512-68601994

**WUXI Rep. Office**

Tel: 86-510-82735036 Fax: 86-510-82735039

**ESPEC TEST TECHNOLOGY (SHANGHAI) CO., LTD.**

Tel: 86-21-68798008 Fax: 86-21-68798088

**ESPEC (MALAYSIA) SDN. BHD.**

Tel: 60-3-89451377 Fax: 60-3-89451287

**ESPEC ENGINEERING CORP.**

Tel: 81-72-834-1191 Fax: 81-72-834-7755



**QMS**  
JIS Q 9001:2000  
JSAQ 004



**JAB**  
QMS Accreditation  
R001



**JAB**  
EMS Accreditation  
RE 009



**ISO 9001/JIS Q 9001**  
Quality Management System Assessed  
and Registered

ESPEC CORP. has been assessed by and registered in the Quality Management System based on the International Standard ISO 9001:2000 (JIS Q 9001:2000) through the Japanese Standards Association (JSA).

**ISO 14001 (JIS Q 14001)**  
Environmental Management System Assessed and Registered

ESPEC GROUP ESPEC CORP.  
ESPEC ENGINEERING CORP.  
ESPEC TEST CENTER CORP.

Specifications are subject to change without notice due to design improvements.

Corporate names and trade names mentioned in this catalog are trademarks or registered trademarks.

Printed on recycled paper.