

Avtron K490

Resistive, Lightweight, Portable Load Bank - 5 to 10 KW

Testing Your Emergency Standby Generator with a Load Bank Means Reliability When it Matters Most.

Key Features

- Compact and Simple to Operate
- Reliable Load Elements
- Easy to Read Meters
- Hand-Held Multimeter-Compatible Plugs to monitor voltage, current, or frequency
- Overtemperature Protected
Removes loads if overheating occurs
- No Cool Down Period Required
- Master Load Control Switch
Allows for instant application or removal of loads

Superior Avtron quality combined with simple operation and maintenance will provide years of trouble free service.

Avtron's extensive line of Load Bank and Industrial Resistor Products are solid performers used throughout the world.

For total technical support or additional information, please contact Avtron at (216) 573-7600 or LBsales@Emerson.com.

Quality System Certified to ISO 9001

The Avtron Model K490 Load Bank is a lightweight, portable AC resistive load bank designed for indoor use.

The Avtron K490 load bank is contained in a small 12.75" x 10.5" x 18" [323.8 x 266.7 x 457.2] enclosure, yet provides up to 10 KW loading capacity. The loads can be flexibly applied for a total of 10 KW at 120 or 240 VAC, single phase. The K490 is used for testing small generator sets and UPS units. This load bank is used for production line testing and by field service personnel.

Avtron designed and manufactured, the K490 resistive load elements are at the core of the load bank system. To ensure years of reliable operation, the elements chosen for the K490 will operate at only 1/3 (or less) of their maximum temperature rating eliminating the need for a "cool down" period after operation. The load bank also includes overtemperature protection.

The K490 load bank is simple to use. It does not require tools. Electrical connections are made on the front of the unit using hand-tightened terminals. Standard on the K490 are banana jacks for connecting hand-held multimeters. The multimeter allows voltage, current, or frequency monitoring.

With logically arranged controls, this load bank is intended to be an essential piece of test equipment used by field service personnel. Its reliable design, compact frame size, and light-weight (30 lbs. [13.61 kg]) define this unit as the "load bank of choice."



K490 10 KW Portable Resistive Avtron Load Bank.

Avtron K490

Resistive Portable Load Bank - 5 to 10 KW

Specifications subject to change without notice.

Capacity
up to 10 KW

Load Step Resolution

0.25 KW @ 120 V (1 Phase, 60 Hz).
0.25 or 1 KW @ 120/240 V (1 Phase, 60 Hz).

Voltage

120 VAC or 120/240 VAC

Blower Power and Control Power

Taken from load bus or separate
120 VAC source

Controls and Indicators

Master Load ON/OFF, Load Step Switches
(toggle type), and Overtemperature Indicator.

Load Elements

Avtron helically wound chromium alloy wire,
no "cool down" period required, and over-
temperature protection.

Construction

Designed for indoor use, durable steel
enclosure protected with polyurethane
enamel paint, rubber support feet, large
comfortable carrying handle, 4 muffin type
cooling fans for quiet operation and power
usage under 1.5 Amps at 120 VAC.

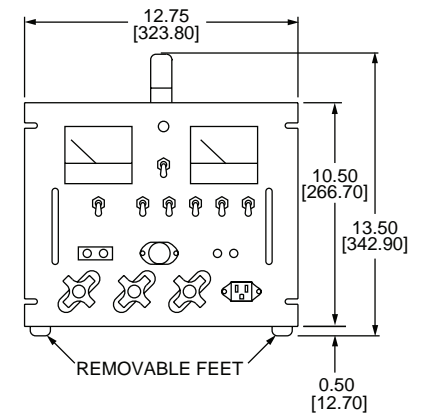
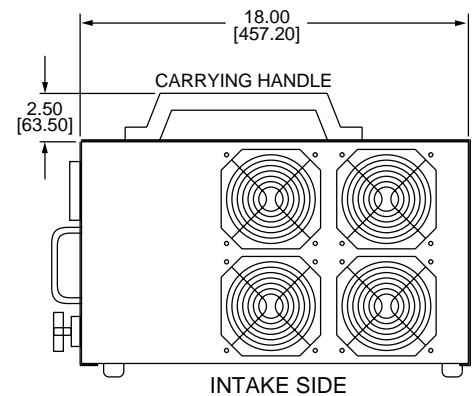
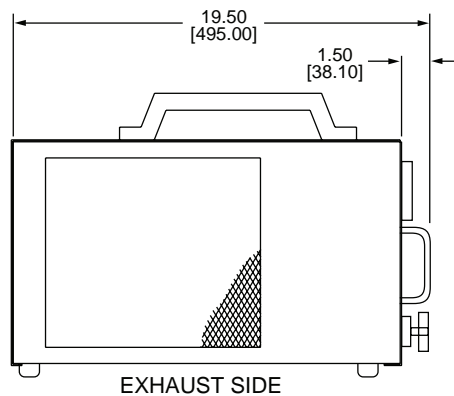
Load Capacity Ratings

Available Load Step Resolution: 0.25, 0.50, or 1 KW

Rated KW	120 VAC	120/240 VAC	220 VAC
5			✓
8.5		✓	
10	✓	✓	

Load Bank Weight (approx.)

30 lbs. [13.61 kg]



All dimensions are in inches [millimeters].



Emerson Network Power

Avtron • 6255 Halle Drive, Cleveland, Ohio 44125, U.S.A.
216-573-7600 • FAX: 216-573-5953 • LBsales@Emerson.com

EmersonNetworkPower.com/loadbank

Emerson, Consider it Solved and Emerson Network Power are trademarks of Emerson Electric Co. or one of its affiliated companies. All the other marks are the property of their respective owners.

Specifications subject to change without notice.

©2015 Emerson Network Power

Bulletin 292 • Rev. E

EMERSON. CONSIDER IT SOLVED.™